

Implementation policy
to
EDIFACT-SUBSET
EDITEC
INVOIC

INVOIC

Version 4.2
Korrektur 28.05.2026

Table of contents

Introduction.....	3
Message Struktur	4
Message Diagramm	7
Segments	13
Example	94

Introduction

This implementation guideline for the EDIFACT subset 'Invoice' was created by ITEK on behalf of the Working Group for New Media in the German Sanitary Industry (Arbeitsgemeinschaft Neue Medien der deutschen Sanitärindustrie e.V.) and the German Wholesale Association for Building Services (Deutscher Großhandelsverband Haustechnik e.V.).

ITEK
Technologiepark 20
33100 Paderborn

Telefon: (0 52 51) 16 14 -0
Telefax: (0 52 51) 16 14 -99
E-Mail: editec@itekgbh.de

The EDIFACT subset is based on EDIFACT syntax version 3 and the following public documents:

- EDIFACT – Uniform message type 'DESADV'
- UN/EDIFACT Directory 96B, UN/ECE/TRADE/WP.4
- EDIFACT Application Guideline Service Segments, Draft DIN 16560 Part 1, February 1994
- UN/EDIFACT Code List D.97A

Paderborn, September 2025

Message Structure

UNA	1	M	1	- Delimiter Specification
UNB	2	M	1	- User Data Header Segment
UNH	3	M	1	- Message Header Segment
BGM	4	M	1	- Start Of The Message
DTM	5	M	1	- Invoice or credit note date
DTM	6	M	1	- Actual delivery date
DTM	7	C	1	- Message date
FTX	8	C	10	- Standard texts due to legal requirements
FTX	9	C	10	- Free Text
SG1		C	1	- Invoice or credit note number
RFF	10	M	1	- Reference Details
DTM	11	C	1	- Date/Time/Period Details
SG1		C	1	- Supplier's claim account number
RFF	12	M	1	- Reference Details
SG2		M	1	- Manufacturer / Supplier
NAD	13	M	1	- Name and Address
SG3		M	2	- RFF
RFF	14	M	1	- Reference Details
SG3		C	1	- RFF
RFF	15	M	1	- Reference Details
SG5		C	1	- CTA-COM
CTA	16	M	1	- Communication Partner
COM	17	C	3	- Communication link
SG2		M	1	- Invoice recipient
NAD	18	M	1	- Name and Address
SG3		C	2	- RFF
RFF	19	M	1	- Reference Details
SG2		C	4	- Partner
NAD	20	M	1	- Name and Address
SG3		C	2	- RFF
RFF	21	M	1	- Reference Details
SG5		C	1	- CTA-COM
CTA	22	M	1	- Communication Partner
COM	23	C	3	- Communication link
SG2		C	1	- Place of dispatch
NAD	24	M	1	- Name and Address
SG6		C	5	- TAX
TAX	25	M	1	- Customs/Tax/Duty Details
SG7		M	1	- CUX
CUX	26	M	1	- Currency Specification
SG8		C	1	- Currency
PAT	27	M	1	- Payment terms
DTM	28	M	1	- Date/Time/Period Details
SG8		C	6	- Discount for prompt payment
PAT	29	M	1	- Payment terms
DTM	30	C	1	- Date/Time/Period Details
PCD	31	M	1	- Percentage values
SG8		C	1	- Net payment term
PAT	32	M	1	- Payment terms
DTM	33	C	1	- Date/Time/Period Details
SG25		C	9999	- LIN-PIA-IMD-QTY-ALI-DTM-GIN-FTX-SG26-SG27-SG28-SG29-SG33-SG38
LIN	34	M	1	- Position Data

St = Status

EDIFACT: M=Mandatory, C=Conditional

Application: R=Required, O=Optional, D=Dependent, A=Advised, N=Not used, X=Not used

Message Structure

PIA	35	C	1	- Additional product information
IMD	36	M	1	- Specification of the item (Short text 1) (Mandatory)
IMD	37	C	1	- Specification of the item (Short text 2)
IMD	38	C	8	- Additional text for the item
QTY	39	M	1	- Quantity
ALI	40	C	1	- Additional Information
DTM	41	M	1	- Date/Time/Period Details
GIN	42	C	1	- Product Identification Number
FTX	43	C	1	- Invoice or document text
FTX	44	C	1	- Indication of the reverse charge procedure
SG26		M	1	- Total for line item including all adjustments and discounts
MOA	45	M	1	- Total for item including all surcharges and discounts
SG27		C	10	- PAT
PAT	46	M	1	- Payment terms
SG28		M	2	- PRI
PRI	47	M	1	- Price Information
SG29		C	1	- Reference Order
RFF	48	M	1	- Reference Details
DTM	49	C	1	- Date/Time/Period Details
SG29		C	1	- Reference Delivery Note
RFF	50	M	1	- Reference Details
DTM	51	M	1	- Date/Time/Period Details
SG29		C	1	- Reference Delivery Advice
RFF	52	M	1	- Reference Details
DTM	53	C	1	- Date/Time/Period Details
SG29		C	7	- Reference details without document/message date
RFF	54	M	1	- Reference Details
SG33		C	1	- TAX-MOA
TAX	55	M	1	- Customs/Tax/Duty Details
MOA	56	M	1	- Monetary amount
SG38		C	1	- Multiplier
ALC	57	M	1	- Multiplier
SG40		M	1	- PCD
PCD	58	M	1	- Percentage values
SG38		C	30	- Surcharges and Discounts
ALC	59	M	1	- Surcharges and Discounts
SG40		C	1	- PCD
PCD	60	M	1	- Percentage values
SG41		C	1	- Monetary amount
MOA	61	M	1	- Monetary amount
SG41		C	1	- Surcharge or discount basis
MOA	62	M	1	- Monetary amount
UNS	63	M	1	- Section Control Segment
SG48		M	8	- MOA
MOA	64	M	1	- Monetary amount
SG50		M	6	- TAX-MOA
TAX	65	M	1	- Customs/Tax/Duty Details
MOA	66	M	1	- Taxable amount
MOA	67	M	1	- Tax amount
SG51		C	15	- ALC-MOA
ALC	68	M	1	- Surcharges and incidental expenses
MOA	69	C	1	- Monetary amount
UNT	70	M	1	- Message End Segment

St = Status

EDIFACT: M=Mandatory, C=Conditional

Application: R=Required, O=Optional, D=Dependent, A=Advised, N=Not used, X=Not used

INVOIC

Message Structure

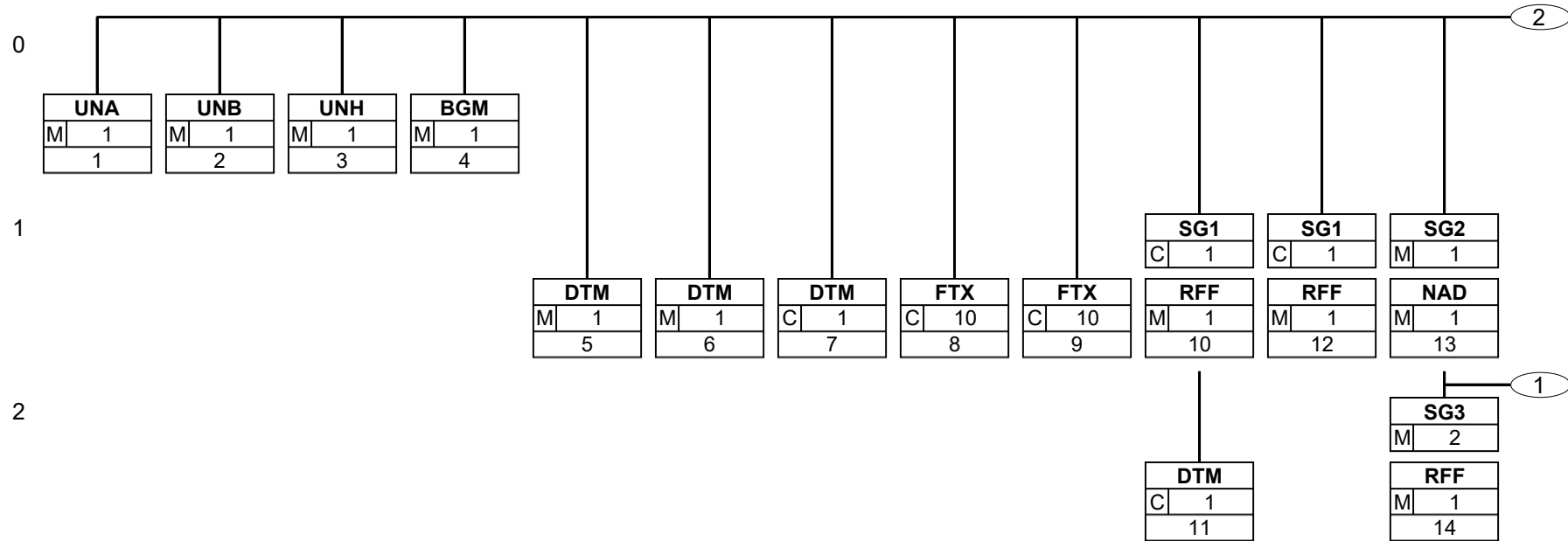
UNZ 71 M 1 - Data Segment End

St = Status

EDIFACT: M=Mandatory, C=Conditional

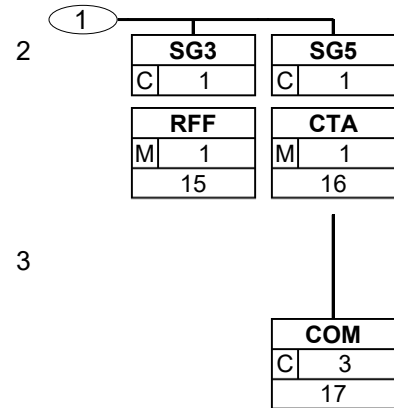
Application: R=Required, O=Optional, D=Dependent, A=Advised, N=Not used, X=Not used

Message Structure

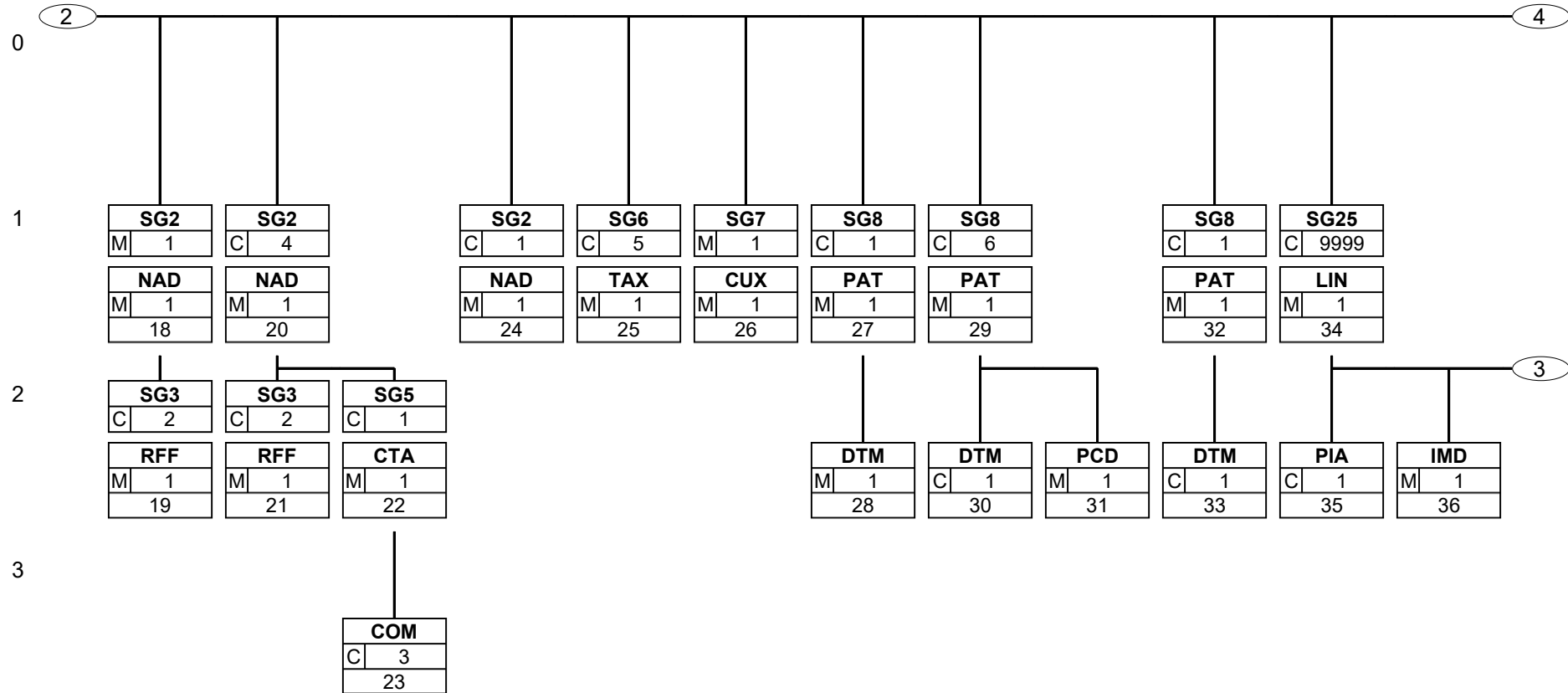


Status: M=Mandatory, C=Conditional, R=Required, O=Optional, D=Dependent, A=Advised, N=Not used, X=Not used

Message Structure



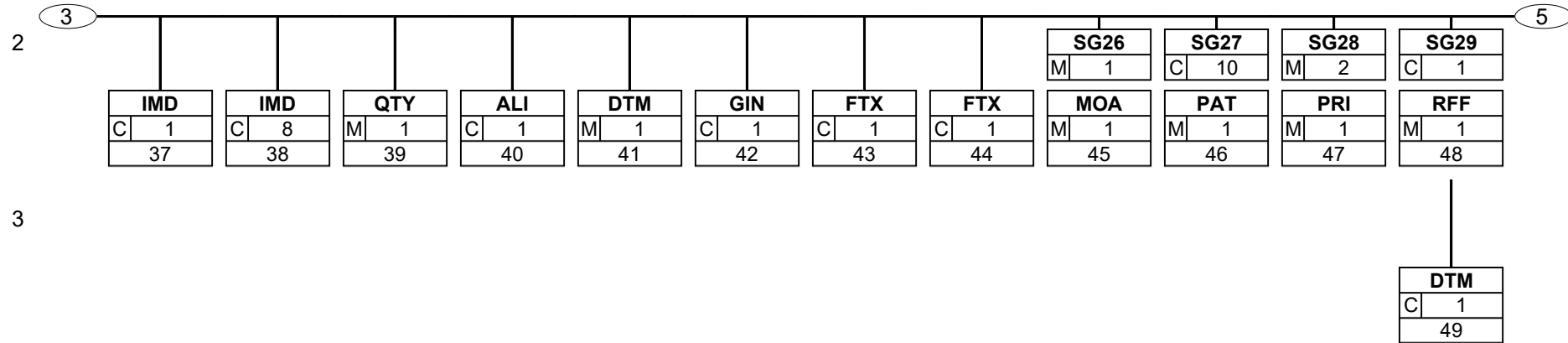
Message Structure



Status: M=Mandatory, C=Conditional, R=Required, O=Optional, D=Dependent, A=Advised, N=Not used, X=Not used

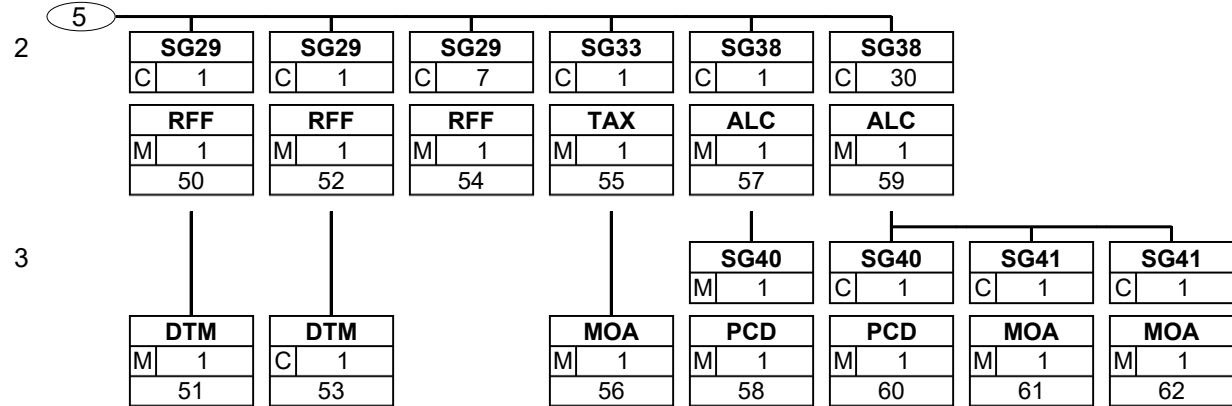
INVOIC

Message Structure



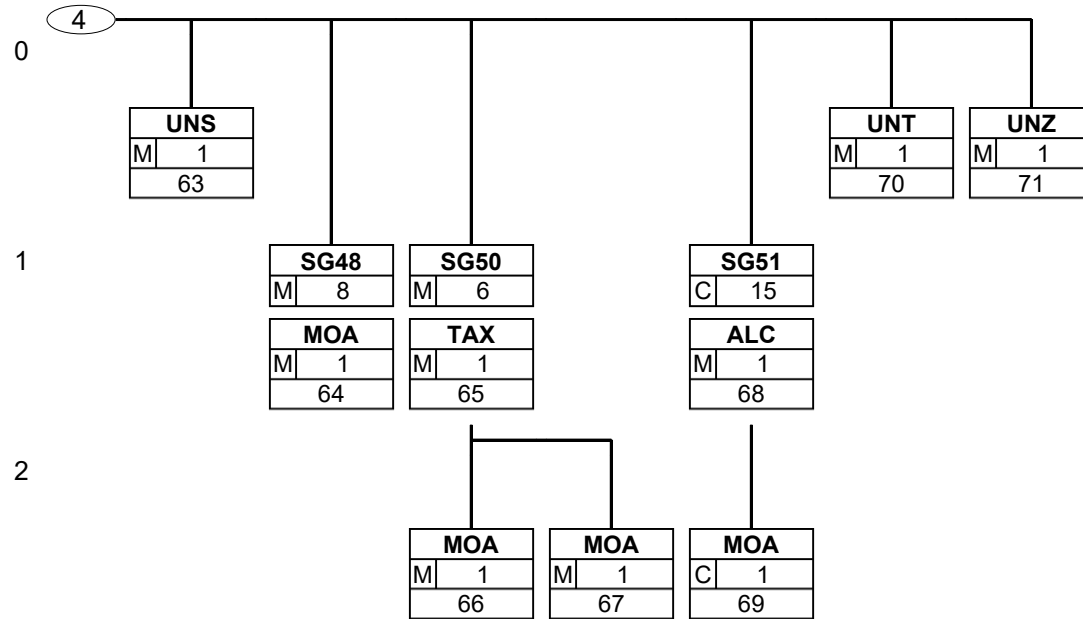
Status: M=Mandatory, C=Conditional, R=Required, O=Optional, D=Dependent, A=Advised, N=Not used, X=Not used

Message Structure



Status: M=Mandatory, C=Conditional, R=Required, O=Optional, D=Dependent, A=Advised, N=Not used, X=Not used

Message Structure



Status: M=Mandatory, C=Conditional, R=Required, O=Optional, D=Dependent, A=Advised, N=Not used, X=Not used

Segment descriptions

Number	No	Segment	St	MaxRep.	Level	Name
--------	----	---------	----	---------	-------	------

0000	1	UNA	M	1	0	Delimiter Specification
------	---	------------	---	---	---	--------------------------------

Tag	Name	St	Format	Usage / Comments
UNA				
UNA1	: Separator	M	an1	Separates data elements within a data element group. : Constant
UNA2	=+@ Seperator	M	an1	Separates segment identifiers, data element groups, and data elements. + Constant
UNA3	, Decimal mark (comma)	M	an1	, Constant
UNA4	? Release character	M	an1	Restores the original meaning to the character following the release character. ? Constant
UNA5	Spaces	M	an1	Reserved for future applications.
UNA6	Segment terminator	M	an1	' Constant

Description: In the UNA segment, the separators, decimal, and release characters are specified. It is defined only once and applies to subsequent messages until further notice. Therefore, it is not transmitted further.

Example: UNA:+, ? '

No = Consecutive segment number
 MaxOcc = Maximum occurrence of the segment/group
 Counter = Counter of segment/group within the standard

St = Status
 EDIFACT: M=Mandatory, C=Conditional
 User specific: R=Required, O=Optional, D=Dependent,
 A=Advised, N=Not used

Segment descriptions

Number	No	Segment	St	MaxRep.	Level	Name
--------	----	---------	----	---------	-------	------

0000	2	UNB	M	1	0	User Data Header Segment
------	---	------------	---	---	---	--------------------------

Tag	Name	St	Format	Usage / Comments
UNB				
S001	SYNTAX IDENTIFIER	M		
0001	Syntax identifier	M	a4	Constant value: UNOC EDIFACT Syntax Version C
0002	Syntax version number	M	n1	Constant value: 3 EDIFACT Syntax Version 3
S002	SENDER OF THE TRANSMISSION FILE	M		
0004	Sender Identification	M	an..35	Sender's identifier (e.g., identification number in Telebox400)
0007	Participant Identifier, Qualifier	M	an..4	This data element is used to uniquely specify the participants. The following codes are available: 14 Sender GLN 65 Sender Telebox400-User SHK SHK-Mail ZZZ Sender (additional network operators)
S003	RECIPIENT OF THE TRANSMISSION FILE	M		
0010	Recipient designation	M	an..35	Recipient's identifier (e.g., identification number in Telebox400)
0007	Participant Identifier, Qualifier	M	an..4	This data element is used to uniquely specify the participants. The following codes are available: 14 Recipient GLN 65 Recipient Telebox400 user SHK SHK-Mail ZZZ Recipient (additional network operators)
S004	DATE/TIME OF CREATION	M		
0017	Date of creation	M	n6	Date of message creation at the sender in the format YYMMDD (This format is prescribed by the EDIFACT application guideline for service segments).
0019	Time of creation	M	n4	Format: HHMM
0020	DATA EXCHANGE REFERENCE	M	an..14	Continuously ascending number for each communication address (X.400, provider, etc.) and message type. The data exchange reference number is used for plausibility checks to identify duplicates and transmission errors. This task is performed by the converter.
S005		N		
0022		N		Not used in the subset.
0026		N		Not used in the subset.
0029		N		Not used in the subset.
0031		N		Not used in the subset.
0032		N		Not used in the subset.
0035	Test indicator	C	n1	Test indicator

Description: In the UNB segment, details regarding the syntax, the sender/recipient of the transmission file, the date/time of creation, and a data exchange reference are transmitted. Optionally, a recipient's password may also be included.

Example: UNB+UNOC:3+4,01235E?+12:14+4,01235E?+12:14+131011:11461+++++1'

No = Consecutive segment number
 MaxOcc = Maximum occurrence of the segment/group
 Counter = Counter of segment/group within the standard

St = Status
 EDIFACT: M=Mandatory, C=Conditional
 User specific: R=Required, O=Optional, D=Dependent,
 A=Advised, N=Not used

Segment descriptions

Number	No	Segment	St	MaxRep.	Level	Name
0010	3	UNH	M	1	0	Message Header Segment

Tag	Name	St	Format	Usage / Comments
UNH				
0062	MESSAGE REFERENCE NUMBER	M	an..14	In each transmission file, each message is consecutively numbered in ascending order starting with 1. This task is performed by the converter.
S009	MESSAGE IDENTIFICATION	M		
0065	Message Type Identification	M	an..6	Constant value: INVOIC Invoice
0052	Message type version number	M	an..3	Constant value: D Draft Directory (Directory Draft)
0054	Release number of the message type	M	an..3	Constant value: 96B UN/EDIFACT Draft Directory D.96B
0051	Managing organisation, coded	M	an..2	Constant value: UN United Nations UN/ECE/TRADE/WP.4
0057	Application code of the responsible organization	M	an..6	Constant value: ITEK42 Version 4.2

Description: In the UNH segment, a message is uniquely identified. The EDITEC subset Invoice is based on the message type INVOIC.

Example: UNH+1+INVOIC:D:96B:UN:ITEK42'

No = Consecutive segment number
 MaxOcc = Maximum occurrence of the segment/group
 Counter = Counter of segment/group within the standard

St = Status
 EDIFACT: M=Mandatory, C=Conditional
 User specific: R=Required, O=Optional, D=Dependent,
 A=Advised, N=Not used

Segment descriptions

Number	No	Segment	St	MaxRep.	Level	Name
--------	----	---------	----	---------	-------	------

0020	4	BGM	M	1	0	Start Of The Message
------	---	------------	---	---	---	----------------------

Tag	Name	St	Format	Usage / Comments
BGM				
C002	DOCUMENT/MESSAGE NAME	M		
1001	Document/Message Name, Coded	M	an..3	Please provide the specific German text you would like translated into British English. This will help ensure the translation is accurate and meets your needs. The following codes are available: 31e Service credit * 32e Performance invoice * 380 Invoice 381 Credit note
C106	DOCUMENT/MESSAGE IDENTIFICATION	M		
1004	Document/Message Number	M	an..35	Invoice, credit note, or cancellation number of the supplier.
1225	MESSAGE FUNCTION, CODED	M	an..3	The following codes are available: 1 Cancellation 31 Copy 9 Original

Description: In the BGM segment, the use and name of the message are specified.

Implementation note: For document types 31e*, 32e*, individual coordination between the sender and recipient of the message is required. Invoices of type 32e relate to services (e.g., customer service invoices for repairs). In the case of a cancellation (1), it is mandatory in the RFF segment to specify under AFL the invoice or credit note number that is being cancelled.

Example: BGM+380+1+1'

No = Consecutive segment number
 MaxOcc = Maximum occurrence of the segment/group
 Counter = Counter of segment/group within the standard

St = Status
 EDIFACT: M=Mandatory, C=Conditional
 User specific: R=Required, O=Optional, D=Dependent,
 A=Advised, N=Not used

Segment descriptions

Number	No	Segment	St	MaxRep.	Level	Name
--------	----	---------	----	---------	-------	------

0030	5	DTM	M	1	1	Invoice or credit note date
------	---	------------	---	---	---	-----------------------------

Tag	Name	St	Format	Usage / Comments
DTM				
C507	DATE/TIME/PERIOD DETAILS	M		
2005	Date/Time/Period Details, Qualifiers	M	an..3	Constant value: 3 Invoice or credit note date
2380	Date/Time/Period Details	M	an..35	Date, formatted as shown in data element 2379.
2379	Date/Time/Period Details, Format, Qualifier	M	an..3	Constant value: 102 YYYYMMDD

Description: In the DTM segment, the date of the invoice/credit note is transmitted.

Example: DTM+3:20141013:102'

No = Consecutive segment number
 MaxOcc = Maximum occurrence of the segment/group
 Counter = Counter of segment/group within the standard

St = Status
 EDIFACT: M=Mandatory, C=Conditional
 User specific: R=Required, O=Optional, D=Dependent,
 A=Advised, N=Not used

Segment descriptions

Number	No	Segment	St	MaxRep.	Level	Name
--------	----	---------	----	---------	-------	------

0030	6	DTM	M	1	1	Actual delivery date
------	---	------------	---	---	---	----------------------

Tag	Name	St	Format	Usage / Comments
DTM				
C507	DATE/TIME/PERIOD DETAILS	M		
2005	Date/Time/Period Details, Qualifiers	M	an..3	Constant value: 35 Actual delivery date (date of service)
2380	Date/Time/Period Details	M	an..35	Date, formatted as shown in data element 2379.
2379	Date/Time/Period Details, Format, Qualifier	M	an..3	Constant value: 102 YYYYMMDD

Description: In the DTM segment, the actual delivery date (date of service) is transmitted.

Example: DTM+35:20141014:102'

No = Consecutive segment number
 MaxOcc = Maximum occurrence of the segment/group
 Counter = Counter of segment/group within the standard

St = Status
 EDIFACT: M=Mandatory, C=Conditional
 User specific: R=Required, O=Optional, D=Dependent,
 A=Advised, N=Not used

Segment descriptions

Number	No	Segment	St	MaxRep.	Level	Name
--------	----	---------	----	---------	-------	------

0030	7	DTM	C	1	1	Message date
------	---	------------	---	---	---	--------------

Tag	Name	St	Format	Usage / Comments
DTM				
C507	DATE/TIME/PERIOD DETAILS	M		
2005	Date/Time/Period Details, Qualifiers	M	an..3	Constant value: 137 Document/Message Date
2380	Date/Time/Period Details	M	an..35	Date, formatted as shown in data element 2379.
2379	Date/Time/Period Details, Format, Qualifier	M	an..3	Constant value: 102 YYYYMMDD

Description: In the DTM segment, the date of the message is transmitted.

Example: DTM+137:20141015:102'

No = Consecutive segment number
 MaxOcc = Maximum occurrence of the segment/group
 Counter = Counter of segment/group within the standard

St = Status
 EDIFACT: M=Mandatory, C=Conditional
 User specific: R=Required, O=Optional, D=Dependent,
 A=Advised, N=Not used

Segment descriptions

Number	No	Segment	St	MaxRep.	Level	Name
--------	----	---------	----	---------	-------	------

0070	8	FTX	C	10	1	Standard texts due to legal requirements
------	---	------------	---	----	---	---

Tag	Name	St	Format	Usage / Comments
FTX				
4451	TEXT, QUALIFIER	M	an..3	These texts can be overlooked by the wholesalers and do not lead to manual processing or routing of the invoice at the wholesale level. Constant value: OSI Standard texts due to legal requirements
4453		N		Not used in the subset.
C107	TEXT REFERENCE	M		
4441	Free text identification, coded	M	an..17	The following codes are available: HAE Notice of Fee Reductions ROU Note on invoices without VAT
C108	FREE TEXT	C		
4440	Free Text	M	an..70	
4440	Free Text	C	an..70	
4440	Free Text	C	an..70	
4440	Free Text	C	an..70	
4440	Free Text	C	an..70	

Description: In the FTX segment in the header, a text regarding the entire invoice or credit note can be transmitted.

Implementation note: The total number of FTX segments for standard texts due to legal requirements, invoice and document text, and notes on reverse charge is limited to 10.

Example: FTX+OSI++HAE+Freitext:Freitext:Freitext:Freitext:Freitext'

No = Consecutive segment number
 MaxOcc = Maximum occurrence of the segment/group
 Counter = Counter of segment/group within the standard

St = Status
 EDIFACT: M=Mandatory, C=Conditional
 User specific: R=Required, O=Optional, D=Dependent,
 A=Advised, N=Not used

Segment descriptions

Number	No	Segment	St	MaxRep.	Level	Name
--------	----	---------	----	---------	-------	------

0070	9	FTX	C	10	1	Free Text
------	---	------------	---	----	---	-----------

Tag	Name	St	Format	Usage / Comments
FTX				
4451	TEXT, QUALIFIER		M an..3	Invoice Where possible, this qualifier should not be used, as it would otherwise necessitate manual processing of the message. Constant value: INV Invoice or document text TXD Note on the reverse charge procedure
4453			N	Not used in the subset.
C107			N	
4441			N	Not used in the subset.
C108	FREE TEXT		C	
4440	Free Text		M an..70	
4440	Free Text		C an..70	
4440	Free Text		C an..70	
4440	Free Text		C an..70	
4440	Free Text		C an..70	

Description: In the FTX segment in the header, a text regarding the entire invoice or credit note can be transmitted.

Implementation note: The total number of FTX segments for standard texts due to legal requirements, invoice and document text, and note on reverse charge is limited to 10.
Where possible, this segment should not be used, as it would otherwise necessitate manual processing of the message.

Example: FTX+INV+++Freitext:Freitext:Freitext:Freitext:Freitext'

No = Consecutive segment number
MaxOcc = Maximum occurrence of the segment/group
Counter = Counter of segment/group within the standard

St = Status
EDIFACT: M=Mandatory, C=Conditional
User specific: R=Required, O=Optional, D=Dependent,
A=Advised, N=Not used

Segment descriptions

Number	No	Segment	St	MaxRep.	Level	Name
0080		SG1	C	1	1	Invoice or credit note number
This segment group includes the RFF segment as well as the DTM segment and is used for referencing documents that the invoice pertains to.						
0090	10	RFF	M	1	1	Reference Details

Tag	Name	St	Format	Usage / Comments
RFF				
C506	REFERENCE DETAILS		M	
1153	Reference, Qualifier		M an..3	The following codes are available: AFL Invoice or credit note number (necessary for cancellation)
1154	Reference Number		M an..35	Reference number, related to the qualifier selected in data element 1153.

Description: In the RFF segment, numbers relating to documents referenced in the invoice are transmitted.

Implementation note: In the event that it is a cancellation (BGM / 1225 = 1), the RFF must necessarily be provided with the invoice or credit note number.

Example: RFF+AFL:1'

No = Consecutive segment number
 MaxOcc = Maximum occurrence of the segment/group
 Counter = Counter of segment/group within the standard

St = Status
 EDIFACT: M=Mandatory, C=Conditional
 User specific: R=Required, O=Optional, D=Dependent,
 A=Advised, N=Not used

Segment descriptions

Number	No	Segment	St	MaxRep.	Level	Name
0080		SG1	C	1	1	Invoice or credit note number
This segment group includes the RFF segment as well as the DTM segment and is used for referencing documents that the invoice pertains to.						
0100	11	DTM	C	1	2	Date/Time/Period Details

Tag	Name	St	Format	Usage / Comments
DTM				
C507	DATE/TIME/PERIOD DETAILS	M		
2005	Date/Time/Period Details, Qualifiers	M	an..3	The following codes are available: 3 Invoice or credit note date
2380	Date/Time/Period Details	M	an..35	Date, formatted as shown in data element 2379.
2379	Date/Time/Period Details, Format, Qualifier	M	an..3	Constant value: 102 YYYYMMDD

Description: In the DTM segment, date information related to the previously referenced documents is transmitted.

Example: DTM+3:20141014:102'

No = Consecutive segment number
 MaxOcc = Maximum occurrence of the segment/group
 Counter = Counter of segment/group within the standard

St = Status
 EDIFACT: M=Mandatory, C=Conditional
 User specific: R=Required, O=Optional, D=Dependent,
 A=Advised, N=Not used

Segment descriptions

Number	No	Segment	St	MaxRep.	Level	Name
0080		SG1	C	1	1	Supplier's claim account number
This segment group includes the RFF segment as well as the DTM segment and is used for referencing documents that the invoice pertains to.						
0090	12	RFF	M	1	1	Reference Details

Tag	Name	St	Format	Usage / Comments
RFF				
C506	REFERENCE DETAILS	M		
1153	Reference, Qualifier	M	an..3	The following codes are available: AP Supplier's claim account number
1154	Reference Number	M	an..35	Reference number, related to the qualifier selected in data element 1153.

Description: In the RFF segment, the supplier's accounts receivable number is specified.

Example: RFF+AP:123456'

No = Consecutive segment number
 MaxOcc = Maximum occurrence of the segment/group
 Counter = Counter of segment/group within the standard

St = Status
 EDIFACT: M=Mandatory, C=Conditional
 User specific: R=Required, O=Optional, D=Dependent,
 A=Advised, N=Not used

Segment descriptions

Number	No	Segment	St	MaxRep.	Level	Name
0110		SG2	M	1	1	Manufacturer / Supplier
This segment group includes the NAD segment as well as segment groups 3 and 5, and is used to specify the partners and locations involved in the message.						
0120	13	NAD	M	1	1	Name and Address

Tag	Name	St	Format	Usage / Comments
NAD				
3035	PARTNER, QUALIFIER	M	an..3	Constant value: SU Manufacturer / Supplier (Industry) / Invoice Issuer
C082	IDENTIFICATION OF THE PARTNER	M		
3039	Partner identification number, coded	M	an..35	Depending on the qualifier mentioned above, the partner's identification number is provided here.
1131		N		Not used in the subset.
3055	Managing organisation, coded	M	an..3	The following codes are available: 9 GLN (GS1 as the German issuer of GLN numbers) ZZZ bilaterally agreed (customer or supplier numbers)
C058		N		
3124		N		Not used in the subset.
C080	PARTNER NAME	M		
3036	Partner Name	M	an..35	Partner Name 1
3036	Partner Name	C	an..35	Partner Name 2.
3036	Partner Name	C	an..35	Partner Name 3.
C059	STREET	M		
3042	Street and house number, PO Box	M	an..35	
3164	LOCATION	M	an..35	
3229		N		Not used in the subset.
3251	POSTCODE	M	an..9	
3207	COUNTRY, CODED	M	an..3	Excerpt of country codes according to ISO 3166: AT Austria BE Belgium BG Bulgaria CA Canada CH Switzerland DE Germany DK Denmark ES Spain FI Finland FR France GB United Kingdom GR Greece IE Ireland IT Italy LU Luxembourg NL Netherlands NO Norway PT Portugal SE Sweden TR Turkey US USA

Description: In the NAD segment, details for identifying the involved partners as well as key address information are transmitted.

Example: NAD+SU+4, 01235E?+12::9++Max:Maximilian:Mustermann+Musterstr. 16+Musterstadt++12345+DE'

No = Consecutive segment number
 MaxOcc = Maximum occurrence of the segment/group
 Counter = Counter of segment/group within the standard

St = Status
 EDIFACT: M=Mandatory, C=Conditional
 User specific: R=Required, O=Optional, D=Dependent,
 A=Advised, N=Not used

Segment descriptions

Number	No	Segment	St	MaxRep.	Level	Name
0150		SG3	M	2	2	RFF
This segment group contains the RFF segment and is used to specify the VAT identification number of the manufacturer/supplier.						
0160	14	RFF	M	1	2	Reference Details

Tag	Name	St	Format	Usage / Comments
RFF				
C506	REFERENCE DETAILS	M		
1153	Reference, Qualifier	M	an..3	Constant value: FC Tax number VA VAT identification number
1154	Reference Number	M	an..35	VAT (Value Added Tax) registration number

Description: In the RFF segment, the VAT identification number or tax number is transmitted.

Example: RFF+VA:1'

No = Consecutive segment number
 MaxOcc = Maximum occurrence of the segment/group
 Counter = Counter of segment/group within the standard

St = Status
 EDIFACT: M=Mandatory, C=Conditional
 User specific: R=Required, O=Optional, D=Dependent,
 A=Advised, N=Not used

Segment descriptions

Number	No	Segment	St	MaxRep.	Level	Name
0150		SG3	C	1	2	RFF
This segment group contains the RFF segment and is used to specify the company/site registration number.						
0160	15	RFF	M	1	2	Reference Details

Tag	Name	St	Format	Usage / Comments
RFF				
C506	REFERENCE DETAILS	M		
1153	Reference, Qualifier	M	an..3	Constant value: XA Company / location registration number (as required by law)
1154	Reference Number	M	an..35	VAT (Value Added Tax) registration number

Example: RFF+XA:1'

No = Consecutive segment number
 MaxOcc = Maximum occurrence of the segment/group
 Counter = Counter of segment/group within the standard

St = Status
 EDIFACT: M=Mandatory, C=Conditional
 User specific: R=Required, O=Optional, D=Dependent,
 A=Advised, N=Not used

Segment descriptions

Number	No	Segment	St	MaxRep.	Level	Name
0210		SG5	C	1	2	CTA-COM
This segment group includes the CTA segment for specifying a contact person.						
0220	16	CTA	M	1	2	Communication Partner

Tag	Name	St	Format	Usage / Comments
CTA				
3139		N		Not used in the subset.
C056	DEPARTMENT OR STAFF DETAILS	M		
3413		N		Not used in the subset.
3412	Department or Processor	M	an..35	Name of the clerk.

Description: In the CTA segment, the name of a contact person responsible for this message can be transmitted for both the sender and the receiver.

Example: CTA++:Max Mustermann'

No = Consecutive segment number
 MaxOcc = Maximum occurrence of the segment/group
 Counter = Counter of segment/group within the standard

St = Status
 EDIFACT: M=Mandatory, C=Conditional
 User specific: R=Required, O=Optional, D=Dependent,
 A=Advised, N=Not used

Segment descriptions

Number	No	Segment	St	MaxRep.	Level	Name
0210		SG5	C	1	2	CTA-COM
This segment group includes the CTA segment for specifying a contact person.						
0230	17	COM	C	3	3	Communication link

Tag	Name	St	Format	Usage / Comments
COM				
C076	COMMUNICATION CONNECTION	M		
3148	Communication number	M	an..512	
3155	Communication channel/service, qualifier	M	an..3	The following codes are available: EM E-Mail FX Fax TE Telephone

Description: A segment for specifying the communication number and type for the contact or department indicated in the CTA segment.

Example: COM+max_mustermann@e_mail.de:EM'

No = Consecutive segment number
 MaxOcc = Maximum occurrence of the segment/group
 Counter = Counter of segment/group within the standard

St = Status
 EDIFACT: M=Mandatory, C=Conditional
 User specific: R=Required, O=Optional, D=Dependent,
 A=Advised, N=Not used

INVOIC

Segment descriptions

Number	No	Segment	St	MaxRep.	Level	Name
0110		SG2	M	1	1	Invoice recipient
This segment group includes the NAD segment as well as segment groups 3 and 5, and is used to specify the partners and locations involved in the message.						
0120	18	NAD	M	1	1	Name and Address

Tag	Name	St	Format	Usage / Comments
NAD				
3035	PARTNER, QUALIFIER	M	an..3	Constant value: IV Invoice recipient
C082	IDENTIFICATION OF THE PARTNER	M		
3039	Partner identification number, coded	M	an..35	Depending on the qualifier mentioned above, the partner's identification number is provided here.
1131		N		Not used in the subset.
3055	Managing organisation, coded	M	an..3	The following codes are available: 9 GLN (GS1 as the German issuer of GLN numbers) ZZZ bilaterally agreed (customer or supplier numbers)
C058		N		
3124		N		Not used in the subset.
C080	PARTNER NAME	M		
3036	Partner Name	M	an..35	Partner Name 1.
3036	Partner Name	C	an..35	Partner Name 2.
3036	Partner Name	C	an..35	Partner Name 3
C059	STREET	M		
3042	Street and house number, PO Box	M	an..35	
3164	LOCATION	M	an..35	
3229		N		Not used in the subset.
3251	POSTCODE	M	an..9	
3207	COUNTRY, CODED	M	an..3	Excerpt of country codes according to ISO 3166: AT Austria BE Belgium BG Bulgaria CA Canada CH Switzerland DE Germany DK Denmark ES Spain FI Finland FR France GB United Kingdom GR Greece IE Ireland IT Italy LU Luxembourg NL Netherlands NO Norway PT Portugal SE Sweden TR Turkey US USA

Description: In the NAD segment, details for the identification of the involved partners as well as important address information are transmitted.

Example: NAD+IV+4,01235E?+12::9++Max:Maximilian:Mustermann+Musterstr. 16+Musterstadt++12345+DE'

No = Consecutive segment number
 MaxOcc = Maximum occurrence of the segment/group
 Counter = Counter of segment/group within the standard

St = Status
 EDIFACT: M=Mandatory, C=Conditional
 User specific: R=Required, O=Optional, D=Dependent,
 A=Advised, N=Not used

Segment descriptions

Number	No	Segment	St	MaxRep.	Level	Name
0150		SG3	C	2	2	RFF
This segment group contains the RFF segment and is used to specify the VAT identification number or tax number.						
0160	19	RFF	M	1	2	Reference Details

Tag	Name	St	Format	Usage / Comments
RFF				
C506	REFERENCE DETAILS	M		
1153	Reference, Qualifier	M	an..3	Constant value: FC Tax number VA VAT identification number
1154	Reference Number	M	an..35	VAT identification number or Additional identification number.

Description: In the RFF segment, the VAT identification number and any necessary additional identification number of a wholesaler are transmitted to a central settlement agent.

Example: RFF+VA:1'

No = Consecutive segment number
 MaxOcc = Maximum occurrence of the segment/group
 Counter = Counter of segment/group within the standard

St = Status
 EDIFACT: M=Mandatory, C=Conditional
 User specific: R=Required, O=Optional, D=Dependent,
 A=Advised, N=Not used

Segment descriptions

Number	No	Segment	St	MaxRep.	Level	Name
0110		SG2	C	4	1	Partner
This segment group includes the NAD segment as well as segment groups 3 and 5, and is used to specify additional partners and locations involved in the message.						
0120	20	NAD	M	1	1	Name and Address

Tag	Name	St	Format	Usage / Comments
NAD				
3035	PARTNER, QUALIFIER	M	an..3	The following codes are available: AB Central Regulator (GLN or customer number with the supplier) DP Goods recipient ST Delivery address WS Wholesaler
C082	IDENTIFICATION OF THE PARTNER	C		
3039	Partner identification number, coded	M	an..35	Depending on the qualifier mentioned above, the partner's identification number is provided here.
1131		N		Not used in the subset.
3055	Managing organisation, coded	M	an..3	The following codes are available: 9 GLN (GS1 as the German issuer of GLN numbers) ZZZ bilaterally agreed (customer or supplier numbers)
C058		N		
3124		N		Not used in the subset.
C080	PARTNER NAME	M		
3036	Partner Name	M	an..35	Partner Name 1
3036	Partner Name	C	an..35	Partner Name 2.
3036	Partner Name	C	an..35	Partner Name 3.
C059	STREET	M		
3042	Street and house number, PO Box	M	an..35	
3164	LOCATION	M	an..35	
3229		N		Not used in the subset.
3251	POSTCODE	M	an..9	
3207	COUNTRY, CODED	M	an..3	Excerpt of country codes according to ISO 3166: AT Austria BE Belgium BG Bulgaria CA Canada CH Switzerland GB United Kingdom DK Denmark ES Spain FI Finland FR France GB United Kingdom GR Greece IE Ireland IT Italy LU Luxembourg NL Netherlands NO Norway PT Portugal SE Sweden TR Turkey US USA

Description: In the NAD segment, details for identifying the involved partners as well as key address information are transmitted.

No = Consecutive segment number
 MaxOcc = Maximum occurrence of the segment/group
 Counter = Counter of segment/group within the standard

St = Status
 EDIFACT: M=Mandatory, C=Conditional
 User specific: R=Required, O=Optional, D=Dependent,
 A=Advised, N=Not used

Segment descriptions

Example:

NAD+WS+4,01235E?+12::9++Max:Maximilian:Mustermann+Musterstr. 16+Musterstadt++
12345+DE'

No = Consecutive segment number
MaxOcc = Maximum occurrence of the segment/group
Counter = Counter of segment/group within the standard

St = Status
EDIFACT: M=Mandatory, C=Conditional
User specific: R=Required, O=Optional, D=Dependent,
A=Advised, N=Not used

Segment descriptions

Number	No	Segment	St	MaxRep.	Level	Name
0150		SG3	C	2	2	RFF
This segment group contains the RFF segment and is used to specify the VAT identification number and tax number.						
0160	21	RFF	M	1	2	Reference Details

Tag	Name	St	Format	Usage / Comments
RFF				
C506	REFERENCE DETAILS	M		
1153	Reference, Qualifier	M	an..3	Constant value: FC Tax number VA VAT identification number
1154	Reference number	M	an..35	VAT identification number or Additional identification number.

Description: In the RFF segment, the VAT identification number and any necessary additional identification number of a wholesaler are transmitted to a central settlement agent.

Example: RFF+VA:1'

No = Consecutive segment number
 MaxOcc = Maximum occurrence of the segment/group
 Counter = Counter of segment/group within the standard

St = Status
 EDIFACT: M=Mandatory, C=Conditional
 User specific: R=Required, O=Optional, D=Dependent,
 A=Advised, N=Not used

Segment descriptions

Number	No	Segment	St	MaxRep.	Level	Name
0210		SG5	C	1	2	CTA-COM
This segment group contains the CTA segment for specifying a contact person.						
0220	22	CTA	M	1	2	Communication Partner

Tag	Name	St	Format	Usage / Comments
CTA				
3139		N		Not used in the subset.
C056	DEPARTMENT OR PROCESSOR	M		
3413		N		Not used in the subset.
3412	Department or Processor	M	an..35	Name of the clerk.

Description: In the CTA segment, the name of a contact person responsible for this message can be transmitted for both the sender and the receiver.

Example: CTA++:Max Mustermann'

No = Consecutive segment number
 MaxOcc = Maximum occurrence of the segment/group
 Counter = Counter of segment/group within the standard

St = Status
 EDIFACT: M=Mandatory, C=Conditional
 User specific: R=Required, O=Optional, D=Dependent,
 A=Advised, N=Not used

Segment descriptions

Number	No	Segment	St	MaxRep.	Level	Name
0210		SG5	C	1	2	CTA-COM
This segment group contains the CTA segment for specifying a contact person.						
0230	23	COM	C	3	3	Communication link

Tag	Name	St	Format	Usage / Comments
COM				
C076	COMMUNICATION CONNECTION	M		
3148	Communication number	M	an..512	
3155	Communication channel/service, qualifier	M	an..3	The following codes are available: EM E-mail FX Fax TE Telephone

Description: A segment for specifying the communication number and type for the contact or department indicated in the CTA segment.

Example: COM+max_mustermann@e_mail.de:EM'

No = Consecutive segment number
 MaxOcc = Maximum occurrence of the segment/group
 Counter = Counter of segment/group within the standard

St = Status
 EDIFACT: M=Mandatory, C=Conditional
 User specific: R=Required, O=Optional, D=Dependent,
 A=Advised, N=Not used

INVOIC

Segment descriptions

Number	No	Segment	St	MaxRep.	Level	Name
0110		SG2	C	1	1	Place of dispatch
This segment group includes the NAD segment as well as segment groups 5 and is used to specify the shipping address.						
0120	24	NAD	M	1	1	Name and Address

Tag	Name	St	Format	Usage / Comments
NAD				
3035	PARTNER, QUALIFIER	M	an..3	The following codes are available: PW Place of dispatch (supplier's shipping address)
C082		N		
3039		N		Not used in the subset.
C058		N		
3124		N		Not used in the subset.
C080	PARTNER NAME	M		
3036	Partner Name	M	an..35	Partner Name 1.
3036	Partner Name	C	an..35	Partner Name 2.
3036	Partner Name	C	an..35	Partner Name 3.
C059	STREET	M		
3042	Street and house number, PO Box	M	an..35	
3164	LOCATION	M	an..35	
3229		N		Not used in the subset.
3251	POSTCODE	M	an..9	
3207	COUNTRY, CODED	M	an..3	Excerpt of country codes according to ISO 3166: AT Austria BE Belgium BG Bulgaria CA Canada CH Switzerland DE Germany DK Denmark ES Spain FI Finland FR France GB United Kingdom GR Greece IE Ireland IT Italy LU Luxembourg NL Netherlands NO Norway PT Portugal SE Sweden TR Turkey US USA

Description: In the NAD segment, details of the shipping address are transmitted.

Example: NAD+PW+++Max:Maximilian:Mustermann+Musterstr. 16+Musterstadt++12345+DE'

No = Consecutive segment number
 MaxOcc = Maximum occurrence of the segment/group
 Counter = Counter of segment/group within the standard

St = Status
 EDIFACT: M=Mandatory, C=Conditional
 User specific: R=Required, O=Optional, D=Dependent,
 A=Advised, N=Not used

Segment descriptions

Number	No	Segment	St	MaxRep.	Level	Name
0240		SG6	C	5	1	TAX
0250	25	TAX	M	1	1	Customs/Tax/Duty Details

Tag	Name	St	Format	Usage / Comments
TAX				
5283	Type of customs/tax/fee information, qualifier	M	an..3	Constant value: 7 Tax
C241	TYPE OF TAX	M		
5153	Type of tax, coded	M	an..3	Constant value: VAT Value Added Tax
C533		N		
5289		N		Not used in the subset.
5286		N		Not used in the subset.
C243	DETAILED TAX INFORMATION	M		
5279		N		Not used in the subset.
1131		N		Not used in the subset.
3055		N		Not used in the subset.
5278	Indication of the tax rate	M	an..17	Indication of the percentage of value added tax (VAT)
5305	Category of customs/tax/fee	M	an..3	B Shift of VAT liability E Tax Exempt S Value Added Tax

Example: TAX+7+VAT+++:::19.00+S'

No = Consecutive segment number
 MaxOcc = Maximum occurrence of the segment/group
 Counter = Counter of segment/group within the standard

St = Status
 EDIFACT: M=Mandatory, C=Conditional
 User specific: R=Required, O=Optional, D=Dependent,
 A=Advised, N=Not used

INVOIC

Segment descriptions

Number	No	Segment	St	MaxRep.	Level	Name
0280		SG7	M	1	1	CUX
This segment group contains the CUX segment and is used to convey a base currency for the entire invoice.						
0290	26	CUX	M	1	1	Currency Specification

Tag	Name	St	Format	Usage / Comments
CUX				
C504	CURRENCY SPECIFICATION	M		
6347	Currency, Qualifier	M	an..3	Constant value: 2 Base currency
6345	Currency, coded	M	an..3	The most important currency codes according to ISO 4217: CAD Canadian Dollars CHF Swiss Franc DKK Danish Kroner EUR Euro GBP British Pounds NOK Norwegian Kroner PLN Polish Zloty SEK Swedish Kronor USD US Dollar

Description: In the CUX segment, the currency unit is transmitted.

Example: CUX+2:EUR'

No = Consecutive segment number
 MaxOcc = Maximum occurrence of the segment/group
 Counter = Counter of segment/group within the standard

St = Status
 EDIFACT: M=Mandatory, C=Conditional
 User specific: R=Required, O=Optional, D=Dependent,
 A=Advised, N=Not used

Segment descriptions

Number	No	Segment	St	MaxRep.	Level	Name
0310		SG8	C	1	1	Currency
This segment group includes the PAT, DTM, and PCD segments and is used to transmit payment terms.						
0320	27	PAT	M	1	1	Payment terms

Tag	Name	St Format	Usage / Comments
PAT			
4279	Type of Payment Terms, Qualifier	M an..3	The following codes are available: 3 Valuta (New date for payment deadline. Only use if it differs from the invoice date.)

Description: In the PAT segment, the payment terms and a payment reference date are transmitted.

Implementation note: The value date indicates the point from which the discount period begins. If the value date is not specified, the invoice date is considered the start of the discount period.
 If the currency value is transferred
 PAT / 4279 = 3
 then the currency date must be mandatorily transferred
 DTM / C507 / 2005 = 12 / 2380 = Date / 2379 = 102.
 It should be noted that discount days and net days are calculated from this currency date.

Example: PAT+3 '

No = Consecutive segment number
 MaxOcc = Maximum occurrence of the segment/group
 Counter = Counter of segment/group within the standard

St = Status
 EDIFACT: M=Mandatory, C=Conditional
 User specific: R=Required, O=Optional, D=Dependent,
 A=Advised, N=Not used

INVOIC

Segment descriptions

Number	No	Segment	St	MaxRep.	Level	Name
0310		SG8	C	1	1	Currency
This segment group includes the PAT, DTM, and PCD segments and is used to transmit payment terms.						
0330	28	DTM	M	1	2	Date/Time/Period Details

Tag	Name	St	Format	Usage / Comments
DTM				
C507	DATE/TIME/PERIOD DETAILS	M		
2005	Date/Time/Period Details, Qualifiers	M	an..3	The following codes are available: 12 Value date (new date for payment deadline)
2380	Date/Time/Period Details	M	an..35	Date, formatted as shown in data element 2379.
2379	Date/Time/Period Details, Format, Qualifier	M	an..3	Constant value: 102 YYYYMMDD

Description: In the DTM segment, a value date can be transmitted.

Example: DTM+12:20141016:102'

No = Consecutive segment number
 MaxOcc = Maximum occurrence of the segment/group
 Counter = Counter of segment/group within the standard

St = Status
 EDIFACT: M=Mandatory, C=Conditional
 User specific: R=Required, O=Optional, D=Dependent,
 A=Advised, N=Not used

INVOIC

Segment descriptions

Number	No	Segment	St	MaxRep.	Level	Name
0310		SG8	C	6	1	Discount for prompt payment
This segment group includes the PAT, DTM, and PCD segments and is used to transmit payment terms.						
0320	29	PAT	M	1	1	Payment terms

Tag	Name	St Format	Usage / Comments
PAT			
4279	Type of payment terms, qualifier	M an..3	The following codes are available: 22 Discount
C110		N	
4277		N	Not used in the subset.
C112	PAYMENT TERMS, TIME SPECIFICATIONS	C	
2475	Payment due date, coded	M an..3	Constant value: 5 Invoice or reference date to which the discount applies.
2009		N	Not used in the subset.
2151		N	Not used in the subset.
2152	Time units, quantity	C n..3	Number of days for discount.

Description: In the PAT segment, the payment terms and a payment reference date are transmitted.

Implementation note: Notes on discounts:
 If a discount
 PAT / 4279=22
 is specified for an invoice date
 PAT / C112 / 2475=5
 PAT / C112 / 2152 = number of days,
 then the percentage
 PCD / 501 / 5245 = 22 / 5482 (percentage with two decimal places) must also be specified.
 Example:
 PAT+22++5:::14'
 PCD+12:2.00'
 The customer is granted a 2% cash discount for payment within 14 days of the invoice date.
 The number of days or the end date for the discount validity must be specified.
 Graduated discount rates and specification of a net payment term:
 PAT+22++5:::14' Payment up to 14 days after invoice date
 PCD+12:2.00' 2% discount
 PAT+22++5:::7' Payment up to 7 days after invoice date
 PCD+12:2.50' 2.5% discount
 PAT+22++5:::3' Payment within 3 days of invoice date
 PCD+12:3.00' 3% discount
 PAT+ZZZ++5' Net payment term
 DTM+12:20060531:102' 31 May 2006
 If instead of discount days and net days a fixed date
 PAT / DTM / C507 / 2005 = 13 or 343 is transmitted, then this date must necessarily be after the value date.
 For example:
 Value date = 30.06.2005, then the discount date or net date can only be from n1.07.2005 onwards.
 If a cash discount
 PAT / 4279=22 is set to a fixed end date for the cash discount validity
 PAT / DTM / C507 / 2005 = 343 (end date of cash discount)
 PAT / DTM / C507 / 2380 = Fixed date is specified, then the percentage must also be specified
 PCD / 501 / 5482 (percentage with two decimal places)
 Example:
 PAT+22'
 DTM+343:20050615:102'
 PCD+12:2.00'
 The customer is granted a 2% discount for payment by 15 June 2005.

Translated with DeepL.com (free version)

No = Consecutive segment number
 MaxOcc = Maximum occurrence of the segment/group
 Counter = Counter of segment/group within the standard

St = Status
 EDIFACT: M=Mandatory, C=Conditional
 User specific: R=Required, O=Optional, D=Dependent,
 A=Advised, N=Not used

Segment descriptions

Example: PAT+22++5:::9'

No = Consecutive segment number
MaxOcc = Maximum occurrence of the segment/group
Counter = Counter of segment/group within the standard

St = Status
EDIFACT: M=Mandatory, C=Conditional
User specific: R=Required, O=Optional, D=Dependent,
A=Advised, N=Not used

Segment descriptions

Number	No	Segment	St	MaxRep.	Level	Name
0310		SG8	C	6	1	Discount for prompt payment
This segment group includes the PAT, DTM, and PCD segments and is used to transmit payment terms.						
0330	30	DTM	C	1	2	Date/Time/Period Details

Tag	Name	St	Format	Usage / Comments
DTM				
C507	DATE/TIME/PERIOD DETAILS	M		
2005	Date/Time/Period Details, Qualifiers	M	an..3	The following codes are available: 343 End date for discount validity
2380	Date/Time/Period Details	M	an..35	Date, formatted as shown in data element 2379.
2379	Date/Time/Period Details, Format, Qualifier	M	an..3	Constant value: 102 YYYYMMDD

Description: In the DTM segment, a discount date can be transmitted.

Example: DTM+343:20141029:102'

No = Consecutive segment number
 MaxOcc = Maximum occurrence of the segment/group
 Counter = Counter of segment/group within the standard

St = Status
 EDIFACT: M=Mandatory, C=Conditional
 User specific: R=Required, O=Optional, D=Dependent,
 A=Advised, N=Not used

Segment descriptions

Number	No	Segment	St	MaxRep.	Level	Name
0310		SG8	C	6	1	Discount for prompt payment
This segment group includes the PAT, DTM, and PCD segments and is used to transmit payment terms.						
0340	31	PCD	M	1	2	Percentage values

Tag	Name	St	Format	Usage / Comments
PCD				
C501	Percentage figures	M		
5245	Percentage, Qualifier	M	an..3	Constant value: 12 Discount
5482	Percentage	M	n..10	Indication of the percentage with two decimal places.

Description: In the PCD segment, a discount percentage can be transmitted.

Example: PCD+12:9'

No = Consecutive segment number
 MaxOcc = Maximum occurrence of the segment/group
 Counter = Counter of segment/group within the standard

St = Status
 EDIFACT: M=Mandatory, C=Conditional
 User specific: R=Required, O=Optional, D=Dependent,
 A=Advised, N=Not used

Segment descriptions

Number	No	Segment	St	MaxRep.	Level	Name
0310		SG8	C	1	1	Net payment term
This segment group includes the PAT, DTM, and PCD segments and is used to transmit payment terms.						
0320	32	PAT	M	1	1	Payment terms

Tag	Name	St Format	Usage / Comments
PAT			
4279	Type of Payment Terms, Qualifier	M an..3	The following codes are available: ZZZ Net payment term
C110		N	
4277		N	Not used in the subset.
C112	PAYMENT TERMS, TIME SPECIFICATIONS	M	
2475	Payment due date, coded	M an..3	Constant value: 5 Invoice or reference date to which the discount applies.
2009		N	Not used in the subset.
2151		N	Not used in the subset.
2152	Time units, quantity	C n..3	Number of days for net payment term.

Description: In the PAT segment, the payment terms and a payment reference date are transmitted.

Implementation note: The time period (number of days) or the due date must be specified.
 Übersetzter Text
 If a net payment term is carried forward
 PAT / 4279 = ZZZ, then the payment term must be carried forward in relation to the invoice date
 PAT / C112 / 2475=5 nPAT / C112 / 2152 = number of days or as the due date for net payment
 DTM / 507 / 2005 = 13 / 2380 = date / 2379 = 102
 Example:
 PAT+ZZZ'
 DTM+13:20050531:102'
 The customer is granted a net payment term until 31 May 2005.

Example: PAT+ZZZ++5:::9'

No = Consecutive segment number
 MaxOcc = Maximum occurrence of the segment/group
 Counter = Counter of segment/group within the standard

St = Status
 EDIFACT: M=Mandatory, C=Conditional
 User specific: R=Required, O=Optional, D=Dependent,
 A=Advised, N=Not used

Segment descriptions

Number	No	Segment	St	MaxRep.	Level	Name
0310		SG8	C	1	1	Net payment term
This segment group includes the PAT, DTM, and PCD segments and is used to transmit payment terms.						
0330	33	DTM	C	1	2	Date/Time/Period Details

Tag	Name	St	Format	Usage / Comments
DTM				
C507	DATE/TIME/PERIOD DETAILS	M		
2005	Date/Time/Period Details, Qualifiers	M	an..3	The following codes are available: 13 Due date for net payment
2380	Date/Time/Period Details	M	an..35	Date, formatted as shown in data element 2379.
2379	Date/Time/Period Details, Format, Qualifier	M	an..3	Constant value: 102 YYYYMMDD

Description: In the DTM segment, a due date can be transmitted.

Example: DTM+13:20141016:102'

No = Consecutive segment number
 MaxOcc = Maximum occurrence of the segment/group
 Counter = Counter of segment/group within the standard

St = Status
 EDIFACT: M=Mandatory, C=Conditional
 User specific: R=Required, O=Optional, D=Dependent,
 A=Advised, N=Not used

INVOIC

Segment descriptions

Number	No	Segment	St	MaxRep.	Level	Name
--------	----	---------	----	---------	-------	------

0910		SG25	C	9999	1	LIN-PIA-IMD-QTY-ALI-DTM-GIN-FTX-SG26-SG27-SG28-SG29-SG33-SG38
------	--	-------------	---	------	---	--

This segment group includes the segments LIN, PIA, IMD, QTY, ALI, GIN, FTX, as well as segment groups 28, 29, and 38. It is used for the transmission of item data.

0920	34	LIN	M	1	1	Position Data
------	----	------------	---	---	---	----------------------

Tag	Name	St Format	Usage / Comments
LIN			
1082	ITEM NUMBER	M n..6	Invoice line item number.
1229	TYPE OF TRANSACTION, CODED	C an..3	If the position is eligible for a bonus, this data element is left blank. The following code is available: 5 Position is not eligible for bonus
C212	PRODUCT IDENTIFICATION	M	
7140	Product/Service Number	M an..35	Supplier's item number; if no item number is available, a text specification will be made in the IMD segment. The data element group C212 will not be transmitted in this case.
7143	Item/Service Number, Coded	M an..3	The following codes are available: EN GTIN number MF Factory item number

Description: In the LIN segment, an invoice item is identified by a unique, ascending item number as well as by a product number. A reference to the order's item number is made in the RFF segment.

Example: LIN+9+5+1:MF'

No = Consecutive segment number
 MaxOcc = Maximum occurrence of the segment/group
 Counter = Counter of segment/group within the standard

St = Status
 EDIFACT: M=Mandatory, C=Conditional
 User specific: R=Required, O=Optional, D=Dependent,
 A=Advised, N=Not used

INVOIC

Segment descriptions

Number	No	Segment	St	MaxRep.	Level	Name
--------	----	---------	----	---------	-------	------

0910		SG25	C	9999	1	LIN-PIA-IMD-QTY-ALI-DTM-GIN-FTX-SG26-SG27-SG28-SG29-SG33-SG38
------	--	-------------	---	------	---	--

This segment group includes the segments LIN, PIA, IMD, QTY, ALI, GIN, FTX, as well as segment groups 28, 29, and 38. It is used for the transmission of item data.

0930	35	PIA	C	1	2	Additional product information
------	----	------------	---	---	---	---------------------------------------

Tag	Name	St	Format	Usage / Comments
PIA				
4347	Product Identification Function	M	an..3	Constant value: 1 additional product information
C212	PRODUCT/SERVICE NUMBER IDENTIFICATION	M		
7140	Product/Service Number	M	an..35	Item Number
7143	Product/Service Number, Coded	M	an..3	The following codes are available: EN GTIN

Implementation note: If available, both numbers should be transmitted.

Example: PIA+1+1:EN'

No = Consecutive segment number
 MaxOcc = Maximum occurrence of the segment/group
 Counter = Counter of segment/group within the standard

St = Status
 EDIFACT: M=Mandatory, C=Conditional
 User specific: R=Required, O=Optional, D=Dependent,
 A=Advised, N=Not used

INVOIC

Segment descriptions

Number	No	Segment	St	MaxRep.	Level	Name
0910		SG25	C	9999	1	LIN-PIA-IMD-QTY-ALI-DTM-GIN-FTX-SG26-SG27-SG28-SG29-SG33-SG38
This segment group includes the segments LIN, PIA, IMD, QTY, ALI, GIN, FTX, as well as segment groups 28, 29, and 38. It is used for the transmission of item data.						
0940	36	IMD	M	1	2	Specification of the item (Short text 1) (Mandatory)

Tag	Name	St	Format	Usage / Comments
IMD				
7077		N		Not used in the subset.
7081		N		Not used in the subset.
C273	DESCRIPTION OF THE ITEM	M		
7009	Description of the item	M	an..17	The following codes are available: SP Specification of the item
1131		N		Not used in the subset.
3055		N		Not used in the subset.
7008	Description of the item	M	an..35	Positions 1-35.
7008	Description of the item	C	an..5	Positions 36-40.

Description: In the IMD segment, a specification of the item must be transmitted.

Implementation note: Code SP for specification of the item.
 The provision of the item description (corresponds to the short item description) is required for use, particularly for electronic archiving.
 The provision of the item description in addition to an item number does not lead to the exclusion of an invoice or manual processing.
 To specify the item, 2*40 character spaces of text are available by repeating the IMD segment twice.
 If the code SP is specified, there is also the option to use the code ZU for additional text, allowing the IMD segment to be repeated up to ten times in this case.

Example: IMD+++SP::Artikeltext Artikeltext Artikeltext:Artik'

No = Consecutive segment number
 MaxOcc = Maximum occurrence of the segment/group
 Counter = Counter of segment/group within the standard

St = Status
 EDIFACT: M=Mandatory, C=Conditional
 User specific: R=Required, O=Optional, D=Dependent,
 A=Advised, N=Not used

INVOIC

Segment descriptions

Number	No	Segment	St	MaxRep.	Level	Name
0910		SG25	C	9999	1	LIN-PIA-IMD-QTY-ALI-DTM-GIN-FTX-SG26-SG27-SG28-SG29-SG33-SG38
This segment group includes the segments LIN, PIA, IMD, QTY, ALI, GIN, FTX, as well as segment groups 28, 29, and 38. It is used for the transmission of item data.						
0940	37	IMD	C	1	2	Specification of the item (Short text 2)

Tag	Name	St	Format	Usage / Comments
IMD				
7077		N		Not used in the subset.
7081		N		Not used in the subset.
C273	DESCRIPTION OF THE ITEM	M		
7009	Description of the item	M	an..17	The following codes are available: SP Specification of the item
1131		N		Not used in the subset.
3055		N		Not used in the subset.
7008	Description of the item	M	an..35	Positions 1-35.
7008	Description of the item	C	an..5	Positions 36-40.

Description: In the IMD segment, a specification of the item can be transmitted.

Example: IMD+++SP:::Artikeltext Artikeltext Artikeltext:Artik'

No = Consecutive segment number
 MaxOcc = Maximum occurrence of the segment/group
 Counter = Counter of segment/group within the standard

St = Status
 EDIFACT: M=Mandatory, C=Conditional
 User specific: R=Required, O=Optional, D=Dependent,
 A=Advised, N=Not used

INVOIC

Segment descriptions

Number	No	Segment	St	MaxRep.	Level	Name
0910		SG25	C	9999	1	LIN-PIA-IMD-QTY-ALI-DTM-GIN-FTX-SG26-SG27-SG28-SG29-SG33-SG38
This segment group includes the segments LIN, PIA, IMD, QTY, ALI, GIN, FTX, as well as segment groups 28, 29, and 38. It is used for the transmission of item data.						
0940	38	IMD	C	8	2	Additional text for the item

Tag	Name	St Format	Usage / Comments
IMD			
7077		N	Not used in the subset.
7081		N	Not used in the subset.
C273	DESCRIPTION OF THE ITEM	M	
7009	Description of the item	M an..17	The following codes are available: AD Additional text for the item
1131		N	Not used in the subset.
3055		N	Not used in the subset.
7008	Additional text for the item	M an..35	Positions 1-35.
7008	Additional text for the item	C an..5	Positions 36-40.

Description: In the IMD segment, additional text relating to the position of an item can be transmitted.

Implementation note: Code ZU for additional text for the item
 This code is used when a verbal description of the item is required in addition to the item number.
 In this case, the IMD segment is repeated eight times, each with 40 characters of text (i.e. a total of 320 characters of text).

Example: IMD+++ZU:::Artikeltext Artikeltext Artikeltext:Artik'

No = Consecutive segment number
 MaxOcc = Maximum occurrence of the segment/group
 Counter = Counter of segment/group within the standard

St = Status
 EDIFACT: M=Mandatory, C=Conditional
 User specific: R=Required, O=Optional, D=Dependent, A=Advised, N=Not used

INVOIC

Segment descriptions

Number	No	Segment	St	MaxRep.	Level	Name
0910		SG25	C	9999	1	LIN-PIA-IMD-QTY-ALI-DTM-GIN-FTX-SG26-SG27-SG28-SG29-SG33-SG38
This segment group includes the segments LIN, PIA, IMD, QTY, ALI, GIN, FTX, as well as segment groups 28, 29, and 38. It is used for the transmission of item data.						
0960	39	QTY	M	1	2	Quantity

Tag	Name	St Format	Usage / Comments
QTY			
C186	QUANTITY DETAILS	M	
6063	Quantity, Qualifier	M an..3	Constant value: 12 Quantity
6060	Quantity	M n..15	Quantity of the item with three decimal places.
6411	Unit of measure, qualifier	M an..3	The following codes are available: CMK Square Centimetre CMQ Cubic Centimetre CMT Centimetre DZN Dozen GRM Grams HLT Hecto-Litre HUR Hour KGM Kilogram KTM Kilometre LTR Litre MIN Minute MMT Millimetre MTK Square Metre MTQ Cubic Metre MTR Meter PAK Package PCE Piece PR Pair RO Number of rolls SET Record TNE Tonne UI Work Units

Description: In the QTY segment, the calculated quantity and the unit of measure of the item are transmitted.

Example: QTY+12:9:CMK'

No = Consecutive segment number
 MaxOcc = Maximum occurrence of the segment/group
 Counter = Counter of segment/group within the standard

St = Status
 EDIFACT: M=Mandatory, C=Conditional
 User specific: R=Required, O=Optional, D=Dependent,
 A=Advised, N=Not used

Segment descriptions

Number	No	Segment	St	MaxRep.	Level	Name
0910		SG25	C	9999	1	LIN-PIA-IMD-QTY-ALI-DTM-GIN-FTX-SG26-SG27-SG28-SG29-SG33-SG38
This segment group includes the segments LIN, PIA, IMD, QTY, ALI, GIN, FTX, as well as segment groups 28, 29, and 38. It is used for the transmission of item data.						
0980	40	ALI	C	1	2	Additional Information

Tag	Name	St Format	Usage / Comments
ALI			
3239	Country of Origin	M an..3	Excerpt from country codes according to ISO 3166: AT Austria BE Belgium BG Bulgaria CA Canada CH Switzerland DE Germany DK Denmark ES Spain FI Finland FR France GB United Kingdom GR Greece IE Ireland IT Italy LU Luxembourg NL Netherlands NO Norway PT Portugal SE Sweden TR Turkey US USA

Description: In the ALI segment, the country of origin can be transmitted.

Example: ALI+DE'

No = Consecutive segment number
 MaxOcc = Maximum occurrence of the segment/group
 Counter = Counter of segment/group within the standard

St = Status
 EDIFACT: M=Mandatory, C=Conditional
 User specific: R=Required, O=Optional, D=Dependent, A=Advised, N=Not used

INVOIC

Segment descriptions

Number	No	Segment	St	MaxRep.	Level	Name
0910		SG25	C	9999	1	LIN-PIA-IMD-QTY-ALI-DTM-GIN-FTX-SG26-SG27-SG28-SG29-SG33-SG38
This segment group includes the segments LIN, PIA, IMD, QTY, ALI, GIN, FTX, as well as segment groups 28, 29, and 38. It is used for the transmission of item data.						
0990	41	DTM	M	1	2	Date/Time/Period Details

Tag	Name	St	Format	Usage / Comments
DTM				
C507	DATE/TIME/PERIOD DETAILS	M		
2005	Date/Time/Period Details, Qualifier	M	an..3	Constant value: 35 Actual delivery date (date of service)
2380	Date/Time/Period Details	M	an..35	Date, formatted as shown in data element 2379.
2379	Date/Time/Period Details, Format, Qualifier	M	an..3	Constant value: 102 YYYYMMDD

Example: DTM+35:20141016:102'

No = Consecutive segment number
 MaxOcc = Maximum occurrence of the segment/group
 Counter = Counter of segment/group within the standard

St = Status
 EDIFACT: M=Mandatory, C=Conditional
 User specific: R=Required, O=Optional, D=Dependent,
 A=Advised, N=Not used

INVOIC

Segment descriptions

Number	No	Segment	St	MaxRep.	Level	Name
0910		SG25	C	9999	1	LIN-PIA-IMD-QTY-ALI-DTM-GIN-FTX-SG26-SG27-SG28-SG29-SG33-SG38
This segment group includes the segments LIN, PIA, IMD, QTY, ALI, GIN, FTX, as well as segment groups 28, 29, and 38. It is used for the transmission of item data.						
1000	42	GIN	C	1	2	Product Identification Number

Tag	Name	St	Format	Usage / Comments
GIN				
7405	Identification number, qualifier	M	an..3	Constant value: SC Customs tariff number
C208	IDENTIFICATION NUMBER	M		
7402	Identification number	M	an..35	Tariff number.

Description: In the GIN segment, the customs tariff number can be transmitted.

Example: GIN+SC+1'

No = Consecutive segment number
 MaxOcc = Maximum occurrence of the segment/group
 Counter = Counter of segment/group within the standard

St = Status
 EDIFACT: M=Mandatory, C=Conditional
 User specific: R=Required, O=Optional, D=Dependent,
 A=Advised, N=Not used

Segment descriptions

Number	No	Segment	St	MaxRep.	Level	Name
0910		SG25	C	9999	1	LIN-PIA-IMD-QTY-ALI-DTM-GIN-FTX-SG26-SG27-SG28-SG29-SG33-SG38
This segment group includes the segments LIN, PIA, IMD, QTY, ALI, GIN, FTX, as well as segment groups 28, 29, and 38. It is used for the transmission of item data.						
1040	43	FTX	C	1	2	Invoice or document text

Tag	Name	St	Format	Usage / Comments
FTX				
4451	TEXT, QUALIFIER	M	an..3	Constant value: INV Invoice or document text
4453		N		Not used in the subset.
C107	Text reference	C		
4441		N		Not used in the subset.
C108	FREE TEXT	M		
4440	Free Text	M	an..70	
4440	Free Text	C	an..70	
4440	Free Text	C	an..70	
4440	Free Text	C	an..70	
4440	Free Text	C	an..70	

Description: In the FTX segment, a text related to the invoice or credit note item can be transmitted in the item part.

Implementation note: Where possible, this segment should not be used, as it would otherwise necessitate manual processing of the message.

Example: FTX+INV+++Rechnungs- / Dokumententext:Rechnungs- / Dokumententext:Rechnungs- / Dokumententext:Rechnungs- / Dokumententext'

No = Consecutive segment number
 MaxOcc = Maximum occurrence of the segment/group
 Counter = Counter of segment/group within the standard

St = Status
 EDIFACT: M=Mandatory, C=Conditional
 User specific: R=Required, O=Optional, D=Dependent,
 A=Advised, N=Not used

Segment descriptions

Number	No	Segment	St	MaxRep.	Level	Name
0910		SG25	C	9999	1	LIN-PIA-IMD-QTY-ALI-DTM-GIN-FTX-SG26-SG27-SG28-SG29-SG33-SG38
This segment group includes the segments LIN, PIA, IMD, QTY, ALI, GIN, FTX, as well as segment groups 28, 29, and 38. It is used for the transmission of item data.						
1040	44	FTX	C	1	2	Indication of the reverse charge procedure

Tag	Name	St Format	Usage / Comments
FTX			
4451	TEXT, QUALIFIER	M an..3	Constant value: TXD Note on the reverse charge procedure
4453		N	Not used in the subset.
C107	Text reference	C	
4441		N	Not used in the subset.
C108	FREE TEXT	M	
4440	Free Text	M an..70	
4440	Free Text	C an..70	
4440	Free Text	C an..70	
4440	Free Text	C an..70	
4440	Free Text	C an..70	

Description: In the FTX segment, a text related to the invoice or credit note item can be transmitted in the item part.

Implementation note: Where possible, this segment should not be used as it would otherwise necessitate manual processing of the message.

Example: FTX+TXD+++Steuerschuldnerschaft des Leistungsempfängers:Steuerschuldnerschaft des Leistungsempfängers:Steuerschuldnerschaft des Leistungsempfängers:Steuerschuldnerschaft des Leistungsempfängers:Steuerschuldnerschaft des Leistungsempfängers'

No = Consecutive segment number
 MaxOcc = Maximum occurrence of the segment/group
 Counter = Counter of segment/group within the standard

St = Status
 EDIFACT: M=Mandatory, C=Conditional
 User specific: R=Required, O=Optional, D=Dependent, A=Advised, N=Not used

Segment descriptions

Number	No	Segment	St	MaxRep.	Level	Name
1050		SG26	M	1	2	Total for line item including all adjustments and discounts
1060	45	MOA	M	1	2	Total for item including all surcharges and discounts

Tag	Name	St	Format	Usage / Comments
MOA				
C516	Monetary amount	M		
5025	Monetary amount type qualifier	M	an..3	203 Line item amount
5004	Monetary amount	M	n..18	

Example: MOA+203:9'

No = Consecutive segment number
 MaxOcc = Maximum occurrence of the segment/group
 Counter = Counter of segment/group within the standard

St = Status
 EDIFACT: M=Mandatory, C=Conditional
 User specific: R=Required, O=Optional, D=Dependent,
 A=Advised, N=Not used

Segment descriptions

Number	No	Segment	St	MaxRep.	Level	Name
1130		SG28	M	2	2	PRI
This segment group contains the PRI segment and is used to transmit the prices of the item.						
1140	47	PRI	M	1	2	Price Information

Tag	Name	St	Format	Usage / Comments
PRI				
C509	PRICE INFORMATION	M		
5125	Price, Qualifier	M	an..3	The following codes are available: GRP Gross price NTP Net price
5118	Price	M	n..15	Price of the item with two decimal places.
5375		N		Not used in the subset.
5387		N		Not used in the subset.
5284	Price basis per unit	M	n..9	Quantity to which the previously stated price and the unit of measure specified in data element 6411 refer. If the price, for example, applies to a single piece, then a 1 must be entered in this data element and the code PCE for piece must be transmitted in data element 6411. The price basis should be stated as follows: 1 = 1 unit 10 = 10 units 100 = 100 units 1000 = 1000 units The information must correspond to the master data.
6411	Unit of measure, qualifier	M	an..3	This data element is only to be used when the price refers to a different unit of measure than the quantity stated in the order. The following codes are available: CMK Square Centimetre CMQ Cubic Centimetre CMT Centimetre DZN Dozen GRM Grams HLT Hecto-Litre HUR Hour KGM Kilogram KTM Kilometre LTR Litre MIN Minute MMT Millimetre MTK Square Metre MTQ Cubic Metre MTR Meter PAK Package PCE Piece PR Pair RO Number of rolls SET Record TNE Tonne UI Work Units

Description: In the PRI segment, the gross and/or net price is transmitted. One of the two prices must be transmitted.

Note: Gross price: Prices without surcharges and discounts.
Net prices: Price including surcharges and discounts.

Example: PRI+GRP:9:::9:CMK'

No = Consecutive segment number
MaxOcc = Maximum occurrence of the segment/group
Counter = Counter of segment/group within the standard

St = Status
EDIFACT: M=Mandatory, C=Conditional
User specific: R=Required, O=Optional, D=Dependent,
A=Advised, N=Not used

Segment descriptions

Number	No	Segment	St	MaxRep.	Level	Name
1190		SG29	C	1	2	Reference Order
This segment group includes the RFF segment as well as the DTM segment and is used for referencing the order.						
1200	48	RFF	M	1	2	Reference Details

Tag	Name	St	Format	Usage / Comments
RFF				
C506	REFERENCE DETAILS	M		
1153	Reference, Qualifier	M	an..3	The following codes are available: ON Wholesaler's order number
1154	Reference number	M	an..35	Reference number, related to the qualifier selected in data element 1153.
1156	Line number	C	an..6	Line number in the referenced document

Description: In the RFF segment, numbers relating to documents referred to by the invoice line item are transmitted.

Example: RFF+ON:1:1'

No = Consecutive segment number
 MaxOcc = Maximum occurrence of the segment/group
 Counter = Counter of segment/group within the standard

St = Status
 EDIFACT: M=Mandatory, C=Conditional
 User specific: R=Required, O=Optional, D=Dependent,
 A=Advised, N=Not used

Segment descriptions

Number	No	Segment	St	MaxRep.	Level	Name
1190		SG29	C	1	2	Reference Order
This segment group includes the RFF segment as well as the DTM segment and is used for referencing the order.						
1210	49	DTM	C	1	3	Date/Time/Period Details

Tag	Name	St	Format	Usage / Comments
DTM				
C507	DATE/TIME/PERIOD DETAILS	M		
2005	Date/Time/Period Details, Qualifiers	M	an..3	The following codes are available: 171 Reference date
2380	Date/Time/Period Details	M	an..35	Date, formatted as shown in data element 2379.
2379	Date/Time/Period Details, Format, Qualifier	M	an..3	Constant value: 102 YYYYMMDD

Description: In the DTM segment, date information related to the previously referenced documents is transmitted.

Example: DTM+171:20141015:102'

No = Consecutive segment number
 MaxOcc = Maximum occurrence of the segment/group
 Counter = Counter of segment/group within the standard

St = Status
 EDIFACT: M=Mandatory, C=Conditional
 User specific: R=Required, O=Optional, D=Dependent,
 A=Advised, N=Not used

Segment descriptions

Number	No	Segment	St	MaxRep.	Level	Name
1190		SG29	C	1	2	Reference Delivery Note
This segment group includes the RFF segment as well as the DTM segment and is used for referencing the delivery note.						
1200	50	RFF	M	1	2	Reference Details

Tag	Name	St	Format	Usage / Comments
RFF				
C506	REFERENCE DETAILS		M	
1153	Reference, Qualifier		M an..3	The following codes are available: AAJ Supplier's delivery note number
1154	Reference number		M an..35	Reference number, related to the qualifier selected in data element 1153.
1156	Line Number		M an..6	Line number in the referenced document

Description: In the RFF segment, numbers relating to documents referred to by the invoice line item are transmitted.

Example: RFF+AAJ:1:1'

No = Consecutive segment number
 MaxOcc = Maximum occurrence of the segment/group
 Counter = Counter of segment/group within the standard

St = Status
 EDIFACT: M=Mandatory, C=Conditional
 User specific: R=Required, O=Optional, D=Dependent,
 A=Advised, N=Not used

Segment descriptions

Number	No	Segment	St	MaxRep.	Level	Name
1190		SG29	C	1	2	Reference Delivery Note
This segment group includes the RFF segment as well as the DTM segment and is used for referencing the delivery note.						
1210	51	DTM	M	1	3	Date/Time/Period Details

Tag	Name	St	Format	Usage / Comments
DTM				
C507	DATE/TIME/PERIOD DETAILS	M		
2005	Date/Time/Period Details, Qualifiers	M	an..3	The following codes are available: 171 Reference date
2380	Date/Time/Period Details	M	an..35	Date, formatted as shown in data element 2379.
2379	Date/Time/Period Details, Format, Qualifier	M	an..3	Constant value: 102 YYYYMMDD

Description: In the DTM segment, date information related to the previously referenced documents is transmitted.

Example: DTM+171:20141015:102'

No = Consecutive segment number
 MaxOcc = Maximum occurrence of the segment/group
 Counter = Counter of segment/group within the standard

St = Status
 EDIFACT: M=Mandatory, C=Conditional
 User specific: R=Required, O=Optional, D=Dependent,
 A=Advised, N=Not used

Segment descriptions

Number	No	Segment	St	MaxRep.	Level	Name
1190		SG29	C	1	2	Reference Delivery Advice
This segment group includes the RFF segment as well as the DTM segment and is used for referencing the delivery advice.						
1200	52	RFF	M	1	2	Reference Details

Tag	Name	St	Format	Usage / Comments
RFF				
C506	REFERENCE DETAILS		M	
1153	Reference, Qualifier		M an..3	The following codes are available: AAY Supplier's delivery notice number
1154	Reference Number		M an..35	Reference number, related to the qualifier selected in data element 1153.
1156	Line number		M an..6	Line number in the referenced document

Description: In the RFF segment, numbers relating to documents referred to by the invoice line item are transmitted.

Example: RFF+AAY:1:1'

No = Consecutive segment number
 MaxOcc = Maximum occurrence of the segment/group
 Counter = Counter of segment/group within the standard

St = Status
 EDIFACT: M=Mandatory, C=Conditional
 User specific: R=Required, O=Optional, D=Dependent,
 A=Advised, N=Not used

Segment descriptions

Number	No	Segment	St	MaxRep.	Level	Name
1190		SG29	C	1	2	Reference Delivery Advice
This segment group includes the RFF segment as well as the DTM segment and is used for referencing the delivery advice.						
1210	53	DTM	C	1	3	Date/Time/Period Details

Tag	Name	St	Format	Usage / Comments
DTM				
C507	DATE/TIME/PERIOD DETAILS	M		
2005	Date/Time/Period Details, Qualifiers	M	an..3	The following codes are available: 171 Reference date
2380	Date/Time/Period Details	M	an..35	Date, formatted as shown in data element 2379.
2379	Date/Time/Period Details, Format, Qualifier	M	an..3	Constant value: 102 YYYYMMDD

Description: In the DTM segment, date information related to the previously referenced documents is transmitted.

Example: DTM+171:20141015:102'

No = Consecutive segment number
 MaxOcc = Maximum occurrence of the segment/group
 Counter = Counter of segment/group within the standard

St = Status
 EDIFACT: M=Mandatory, C=Conditional
 User specific: R=Required, O=Optional, D=Dependent,
 A=Advised, N=Not used

Segment descriptions

Number	No	Segment	St	MaxRep.	Level	Name
1190		SG29	C	7	2	Reference details without document/message date
This segment group includes the RFF segment as well as the DTM segment and is used for referencing documents related to the invoice line item. (Used in consolidated invoices)						
1200	54	RFF	M	1	2	Reference Details

Tag	Name	St	Format	Usage / Comments
RFF				
C506	REFERENCE DETAILS		M	
1153	Reference, Qualifier		M an..3	The following codes are available: AAG Quotation number ACD Additional reference, here collective order number ACE Supplier's order confirmation number ADA Return number of the wholesaler
1154	Reference Number		M an..35	Reference number, related to the qualifier selected in data element 1153.
1156	Line number		C an..6	Line number in the referenced document

Description: In the RFF segment, numbers relating to documents referred to by the invoice line item are transmitted.

Example: RFF+ACE:1:1'

No = Consecutive segment number
 MaxOcc = Maximum occurrence of the segment/group
 Counter = Counter of segment/group within the standard

St = Status
 EDIFACT: M=Mandatory, C=Conditional
 User specific: R=Required, O=Optional, D=Dependent,
 A=Advised, N=Not used

INVOIC

Segment descriptions

Number	No	Segment	St	MaxRep.	Level	Name
1340		SG33	C	1	2	TAX-MOA
1350	55	TAX	M	1	2	Customs/Tax/Duty Details

Tag	Name	St	Format	Usage / Comments
TAX				
5283	Type of customs/tax/fee information, qualifier	M	an..3	Constant value: 7 Tax
C241	TYPE OF TAX	M		
5153	Type of tax, coded	M	an..3	Constant value: VAT Value Added Tax
C533		N		
5289		N		Not used in the subset.
5286		N		Not used in the subset.
C243	DETAILED TAX INFORMATION	M		
5279		N		Not used in the subset.
1131		N		Not used in the subset.
3055		N		Not used in the subset.
5278	Indication of the tax rate	M	an..17	Indication of the VAT (Value Added Tax) percentage.
5305	Category of customs/tax/fee	M	an..3	B Shift of VAT liability E Tax Exempt S Value Added Tax

Example: TAX+7+VAT++++:::0+B'

No = Consecutive segment number
 MaxOcc = Maximum occurrence of the segment/group
 Counter = Counter of segment/group within the standard

St = Status
 EDIFACT: M=Mandatory, C=Conditional
 User specific: R=Required, O=Optional, D=Dependent,
 A=Advised, N=Not used

Segment descriptions

Number	No	Segment	St	MaxRep.	Level	Name
1340		SG33	C	1	2	TAX-MOA
1360	56	MOA	M	1	3	Monetary amount

Tag	Name	St	Format	Usage / Comments
MOA				
C516	MONETARY AMOUNT	M		
5025	Type of monetary amount, qualifier	M	an..3	124 Tax amount according to tax code
5004	Monetary amount	M	n..18	Absolute amount of VAT with a maximum of two decimal places.

Example: MOA+124:0'

No = Consecutive segment number
 MaxOcc = Maximum occurrence of the segment/group
 Counter = Counter of segment/group within the standard

St = Status
 EDIFACT: M=Mandatory, C=Conditional
 User specific: R=Required, O=Optional, D=Dependent,
 A=Advised, N=Not used

Segment descriptions

Number	No	Segment	St	MaxRep.	Level	Name
1500		SG38	C	1	2	Multiplier
This segment group includes the ALC segment as well as segment groups 40 and 41. It is used to transmit surcharges and discounts related to the invoice items.						
1510	57	ALC	M	1	2	Multiplier

Tag	Name	St	Format	Usage / Comments
ALC				
5463	Surcharges and Discounts, Qualifier	M	an..3	The following codes are available: J Adjustment
C552		N		
1230		N		Not used in the subset.
4471		N		Not used in the subset.
1227		N		Not used in the subset.
C214	SPECIAL SERVICES	M		
7161	Special services, coded	M	an..3	The following codes are available: SF Multiplier

Description: The multiplier specified is a net multiplier that already includes all surcharges and discounts for this item. The multiplier is used for automatic invoice verification, while the individual conditions are used for information purposes and manual research in the event of discrepancies detected during automatic verification.

Example: ALC+J++++SF'

No = Consecutive segment number
 MaxOcc = Maximum occurrence of the segment/group
 Counter = Counter of segment/group within the standard

St = Status
 EDIFACT: M=Mandatory, C=Conditional
 User specific: R=Required, O=Optional, D=Dependent,
 A=Advised, N=Not used

Segment descriptions

Number	No	Segment	St	MaxRep.	Level	Name
1570		SG40	M	1	3	PCD
This segment group contains the PCD segment and is used to transmit percentage details for surcharges or discounts.						
1580	58	PCD	M	1	3	Percentage values

Tag	Name	St	Format	Usage / Comments
PCD				
C501	Percentage figures	M		
5245	Percentage, Qualifier	M	an..3	The following codes are available: 1 Multiplier
5482	Percentage	M	n..10	The multiplier is transmitted with up to eight decimal places.

Description: In the PCD segment, a multiplier for the invoice item is transmitted.

Example: PCD+1:9'

No = Consecutive segment number
 MaxOcc = Maximum occurrence of the segment/group
 Counter = Counter of segment/group within the standard

St = Status
 EDIFACT: M=Mandatory, C=Conditional
 User specific: R=Required, O=Optional, D=Dependent,
 A=Advised, N=Not used

INVOIC

Segment descriptions

Number	No	Segment	St	MaxRep.	Level	Name
1500		SG38	C	30	2	Surcharges and Discounts
This segment group includes the ALC segment as well as segment groups 40 and 41. It is used to transmit surcharges and discounts related to the invoice items.						
1510	59	ALC	M	1	2	Surcharges and Discounts

Tag	Name	St	Format	Usage / Comments
ALC				
5463	Surcharges and Discounts, Qualifier	M	an..3	The following codes are available: A Instalment C Surcharge
C552		N		
1230		N		Not used in the subset.
4471		N		Not used in the subset.
1227		N		Not used in the subset.
C214	SPECIAL SERVICES	M		
7161	Special services, coded	M	an..3	AA Advertising allowance AAA Telecommunication charges AAB Returned goods charges AAC Modification costs AAD Job-order production AAE Outlays AAF Off-premises surcharge AAG Gold surcharge AAH Processing surcharge AAI Attestation fee AAJ Copper surcharge AAK Energy surcharge AAL Deduction for missing parts AAM Rubber surcharge AAN Brass surcharge AAO Material surcharge/deduction AAP Lead surcharge AAQ Price index surcharge AAR Platinum surcharge AAS Acceptance cost AAT Rush delivery AAU Selenium surcharge AAV Special construction charge AAW Deduction for delayed return AAX Wolfram surcharge AAZ Concession fee ABA Compulsory storage fee ABB Defuel ABC Into plane fee ABD Overtime ABE Reservicing charge ABF Tooling cost ABG Tooling charge ABH Throughput allowance ABI Superfund fee ABJ Airport system fee ABK Miscellaneous ABL Packaging surcharge ABM Scrap surcharge ABN Dunnage charge ABO Air freight transportation ABP Carriage charge

No = Consecutive segment number
 MaxOcc = Maximum occurrence of the segment/group
 Counter = Counter of segment/group within the standard

St = Status
 EDIFACT: M=Mandatory, C=Conditional
 User specific: R=Required, O=Optional, D=Dependent,
 A=Advised, N=Not used

Segment descriptions

Tag	Name	St Format	Usage / Comments
			ABQ Tonnage rebate ABR Containerisation ABS Carton packing ABT Hessian wrapped ABU Polyethylene wrap packing ABV Miscellaneous customs charge ABW Customs duty charge ABX Miscellaneous special tooling charge ABY Tooling amortisation ABZ Miscellaneous rebate or discount ACA Allowance ACB Future discount off retail ACC Miscellaneous setting costs (tooling) ACD Minimum amount costs for quantity based surcharges ACE Below schedule quantity after quantity-based surcharge ACF Miscellaneous treatment ACG Enamelling treatment ACH Heat treatment ACI Plating treatment ACJ Painting ACK Polishing ACL Priming ACM Preservation treatment ACN Miscellaneous other surcharges ACO Alloy surcharge ACP Coke surcharge ACQ Royalty surcharge ACR Wheel handling charge ACS Fitting surcharge ACT Non-standard surcharge ACU Standard surcharge ACV Wheel surcharge ACW Washer surcharge ACX Ocean freight charge ACY Container deposit charge ACZ Damaged merchandise ADA Bopsheet charge ADB Drum deposit ADC Consolidation ADD Inland transportation ADE Bill of lading charge ADF Excise tax-destination ADG Customs bond charge ADH Per pound charge ADI Royalties ADJ Airbag charge ADK Transfer charge ADL Slipsheet charge ADM Binding services ADN Repair or replacement of broken returnable package ADO Efficient logistics ADP Merchandising ADQ Product mix ADR Other services ADS Full pallet ordering ADT Pick-up ADU Handling by the 1st level sub-contractor ADV Handling by the 2nd level sub-contractor ADX Handling by the contractor ADY New product introduction

No = Consecutive segment number
 MaxOcc = Maximum occurrence of the segment/group
 Counter = Counter of segment/group within the standard

St = Status
 EDIFACT: M=Mandatory, C=Conditional
 User specific: R=Required, O=Optional, D=Dependent,
 A=Advised, N=Not used

Segment descriptions

Tag	Name	St Format	Usage / Comments
			AG Silver surcharge AJ Adjustments AL Aluminium surcharge AM Additional material AU Authentication charge CA Cataloguing services CAA Cancellation charge CAB Cartage CAC Cash discount CAD Certification fee CAE Certificate of conformance CAF Certificate of origin CAG Competitive allowance CAH Competitive auto allowance CAI Cutting charge CAJ Consular costs CAK Customer collection rebate CB Commission CD Car loading CG Cleaning charge CK COD charge CL Contract allowance CO Cents off CP Competitive price CS Cigarette stamping CT Count and recount CW Container allowance DA Defective allowance DAA Deficit freight DAB Layout/design DAD Driver assigned unloading DAE Distributor discount/allowance DI Discount DL Delivery DM Demurrage EAA Early buy allowance EAB Early payment allowance EG Engraving EP Expediting premium ER Exchange rate guarantee charge EX Export shipping charge FA Freight allowance FAA Fabrication charge FAB Freight equalization FAC Freight surcharge FC Freight charge FG Free goods FH Filling/handling charge FI Finance charge FN Special finish charge FR Flat rate GAA Grinding HAA Hose charge HD Handling HH Hoisting and hauling IA Invoice adjustment IAA Installation IAB Installation and warranty ID Inside delivery charge IF Inspection fee IN Insurance IR Installation and training IS Invoice services

No = Consecutive segment number
 MaxOcc = Maximum occurrence of the segment/group
 Counter = Counter of segment/group within the standard

St = Status
 EDIFACT: M=Mandatory, C=Conditional
 User specific: R=Required, O=Optional, D=Dependent,
 A=Advised, N=Not used

Segment descriptions

Tag	Name	St Format	Usage / Comments
			KO Koshering L1 Shipper load, carrier count LA Labelling LAA Labour charge LAB Labor (repair and return orders) LAC License fee LF Legalisation fee LS Local sales tax MA Material allowance (special materials) MAA Mileage or travel MAB Mileage fee (for repair and return) MAC Minimum order/minimum billing charge MAD Monthly rental MAE Mounting MC Material surcharge (special materials) MI Mail invoice ML Mail invoice to each location NAA Non-returnable containers OA Outside cable connectors OAA Overtime loading PA Pack invoice with shipment PAA Phosphatizing (steel treatment) PAB Postage charge PAC Premium charge PAD Promotional allowance PAE Promotional discount PC Packing PD Palladium surcharge PI Pick-up allowance PL Palletizing PN Pallet charge PO Per order charge QAA Quantity surcharge QD Quantity discount RAA Rebate RAB Repack charge RAC Repair RAD Returnable container RAE Resellers discount RAF Restocking charge RAG Roll rebate RAH Road/rail tanker rebate RE Re-delivery charge RF Refurbishing charge RH Rail wagon hire RO Roe allowance/charge RP Repair charge RV Freight charge/costs of loading SA Salvage SAA Shipping and handling SAB Special allowance SAC Special credit SAD Special packaging SAE Stamping SAF Supplemental items SAG Surcharge (dollar value) SAH Surcharge (percentage) SAI Shipper load, consignee unload SAJ Small packages charge SC Surcharge SD Shrinkage allowance SG Shrink-wrap charge SH Special handling service

No = Consecutive segment number
 MaxOcc = Maximum occurrence of the segment/group
 Counter = Counter of segment/group within the standard

St = Status
 EDIFACT: M=Mandatory, C=Conditional
 User specific: R=Required, O=Optional, D=Dependent,
 A=Advised, N=Not used

Segment descriptions

Tag	Name	St Format	Usage / Comments
			SM Special finish ST Stamp duties SU Set-up SZ Steel surcharge TAA Telephone charge TAB Tank rental TAC Testing charge TAD Testing allowance TAE Truckload discount TD Trade discount TS State tax TT Transportation - third party billing TV Transportation - vendor provided TX Tax TZ Temporary allowance UM Unsaleable merchandise allowance V1 Drop yard V2 Drop dock VAA Vendor freight VAB Volume discount VL Vehicle load allowance WH Warehousing XAA Combine all same day shipment YY Split pickup The following codes are available: ZZZ Bilaterally agreed (description of the condition follows in data element 7160)
1131		N	Not used in the subset.
3055		N	Not used in the subset.
7160	Special conditions	M an..35	Here, the description of the condition must be transmitted.

Description: The ALC segment is used to specify allowances and charges for individual items.

Example: ALC+A++++ZZZ:::Konditionsbezeichnung'

No = Consecutive segment number
 MaxOcc = Maximum occurrence of the segment/group
 Counter = Counter of segment/group within the standard

St = Status
 EDIFACT: M=Mandatory, C=Conditional
 User specific: R=Required, O=Optional, D=Dependent,
 A=Advised, N=Not used

Segment descriptions

Number	No	Segment	St	MaxRep.	Level	Name
1570		SG40	C	1	3	PCD
This segment group contains the PCD segment and is used to transmit percentage details for surcharges or discounts.						
1580	60	PCD	M	1	3	Percentage values

Tag	Name	St	Format	Usage / Comments
PCD				
C501	Percentage figures	M		
5245	Percentage, Qualifier	M	an..3	The following codes are available: 3 Percentage
5482	Percentage	M	n..10	The percentage is transmitted with up to two decimal places.

Description: In the PCD segment, a percentage relating to the invoice item is transferred. Percentages for discount information are provided for informational purposes only.

Example: PCD+3:9'

No = Consecutive segment number
 MaxOcc = Maximum occurrence of the segment/group
 Counter = Counter of segment/group within the standard

St = Status
 EDIFACT: M=Mandatory, C=Conditional
 User specific: R=Required, O=Optional, D=Dependent,
 A=Advised, N=Not used

Segment descriptions

Number	No	Segment	St	MaxRep.	Level	Name
1600		SG41	C	1	3	Monetary amount
This segment group contains the MOA segment and is used to transmit surcharges or discounts as a fixed amount of money.						
1610	61	MOA	M	1	3	Monetary amount

Tag	Name	St	Format	Usage / Comments
MOA				
C516	MONETARY AMOUNT		M	
5025	Monetary amount, qualifier		M an..3	Constant value: 8 Amount of money
5004	Monetary amount		M n..18	Surcharge or discount with up to two decimal places. Value related to the code entered in data element Gr. 38-ALC-C214-7161 (absolute Euro amount).

Description: In the MOA segment, a monetary amount is transferred as an adjustment or discount.

Example: MOA+8 : 9'

No = Consecutive segment number
 MaxOcc = Maximum occurrence of the segment/group
 Counter = Counter of segment/group within the standard

St = Status
 EDIFACT: M=Mandatory, C=Conditional
 User specific: R=Required, O=Optional, D=Dependent,
 A=Advised, N=Not used

Segment descriptions

Number	No	Segment	St	MaxRep.	Level	Name
1600		SG41	C	1	3	Surcharge or discount basis
This segment group contains the MOA segment and is used to transmit the settlement basis.						
1610	62	MOA	M	1	3	Monetary amount

Tag	Name	St	Format	Usage / Comments
MOA				
C516	MONETARY AMOUNT	M		
5025	Monetary amount, qualifier	M	an..3	Constant value: 25 Surcharge or discount base
5004	Monetary amount	M	n..18	Surcharge or discount with up to two decimal places. Value related to the code entered in data element Gr. 38-ALC-C214-7161 (absolute Euro amount).

Description: In the MOA segment, a monetary amount is transferred as a basis for surcharges and discounts.

Example: MOA+25:9'

No = Consecutive segment number
 MaxOcc = Maximum occurrence of the segment/group
 Counter = Counter of segment/group within the standard

St = Status
 EDIFACT: M=Mandatory, C=Conditional
 User specific: R=Required, O=Optional, D=Dependent,
 A=Advised, N=Not used

Segment descriptions

Number	No	Segment	St	MaxRep.	Level	Name
1840	63	UNS	M	1	0	Section Control Segment

Tag	Name	St Format	Usage / Comments
0081	SECTION IDENTIFICATION, CODED	M a1	Constant value: S Separation of item and total section

Description: The UNS segment is a service segment and marks the separation between the line item and totals sections.

Example: UNS+S '

No = Consecutive segment number
 MaxOcc = Maximum occurrence of the segment/group
 Counter = Counter of segment/group within the standard

St = Status
 EDIFACT: M=Mandatory, C=Conditional
 User specific: R=Required, O=Optional, D=Dependent,
 A=Advised, N=Not used

INVOIC

Segment descriptions

Number	No	Segment	St	MaxRep.	Level	Name
1860		SG48	M	8	1	MOA
This segment group contains the MOA segment and is used to specify the invoice totals. Invoice amounts to be transferred Total of item values +/- EURO value (surcharges & discounts) = Value of goods + Ancillary costs = Amount subject to VAT + Value added tax = Invoice amount Discountable portion of the value of goods Elements to be used SG 48/MOA/C516/5004 with code 79 SG 51/ALC/MOA SG 48/MOA/C516/5004 with code 56 SG 51/ALC/MOA SG 48/MOA/C516/5004 with code 125 SG 50/TAX/MOA SG 48/MOA/C516/5004 with code 9 SG 48/MOA/C516/5004 with code 12						

1870 64 **MOA** M 1 1 **Monetary amount**

Tag	Name	St	Format	Usage / Comments
MOA				
C516	AMOUNT OF MONEY	M		
5025	Type of monetary amount, qualifier	M	an..3	The following codes are available: 109 Discountable amount 12 Obligatory bonus portion of the goods value 124 Tax amount 125 VAT liable amount (mandatory field) 56 Goods value 79 Total of item values 9 Invoice amount (mandatory field)
5004	Monetary amount	M	n..18	Total according to the qualifier specified in data element 5025.

Description: In the MOA segment, the invoice totals are transmitted.

Example: MOA+79:9'

No = Consecutive segment number
 MaxOcc = Maximum occurrence of the segment/group
 Counter = Counter of segment/group within the standard

St = Status
 EDIFACT: M=Mandatory, C=Conditional
 User specific: R=Required, O=Optional, D=Dependent,
 A=Advised, N=Not used

INVOIC

Segment descriptions

Number	No	Segment	St	MaxRep.	Level	Name
1910		SG50	M	6	1	TAX-MOA
This segment group contains the TAX segment as well as the MOA segment and is used for the transmission of value-added tax.						
1920	65	TAX	M	1	1	Customs/Tax/Duty Details

Tag	Name	St	Format	Usage / Comments
TAX				
5283	Type of customs/tax/fee information, qualifier	M	an..3	Constant value: 7 Tax
C241	TYPE OF TAX	M		
5153	Type of tax, coded	M	an..3	Constant value: VAT Value Added Tax
C533		N		
5289		N		Not used in the subset.
5286		N		Not used in the subset.
C243	DETAILED TAX INFORMATION	M		
5279		N		Not used in the subset.
1131		N		Not used in the subset.
3055		N		Not used in the subset.
5278	Indication of the tax rate	M	an..17	Indication of the value-added tax percentage.
5305	Category of customs/tax/fee	M	an..3	B Shift of VAT liability E Tax Exempt S Value Added Tax

Description: In the TAX segment, the VAT percentage is transmitted.

Example: TAX+7+VAT+++:::19.00+S'

No = Consecutive segment number
 MaxOcc = Maximum occurrence of the segment/group
 Counter = Counter of segment/group within the standard

St = Status
 EDIFACT: M=Mandatory, C=Conditional
 User specific: R=Required, O=Optional, D=Dependent,
 A=Advised, N=Not used

Segment descriptions

Number	No	Segment	St	MaxRep.	Level	Name
1910		SG50	M	6	1	TAX-MOA
This segment group contains the TAX segment as well as the MOA segment and is used for the transmission of value-added tax.						
1930	66	MOA	M	1	2	Taxable amount

Tag	Name	St	Format	Usage / Comments
MOA				
C516	MONETARY AMOUNT	M		
5025	Type of monetary amount, qualifier	M	an..3	Constant value: 125 Taxable amount
5004	Monetary amount	M	n..18	Absolute amount of VAT with a maximum of two decimal places.

Description: In the MOA segment, the taxable amount is transferred.

Example: MOA+125:9'

No = Consecutive segment number
 MaxOcc = Maximum occurrence of the segment/group
 Counter = Counter of segment/group within the standard

St = Status
 EDIFACT: M=Mandatory, C=Conditional
 User specific: R=Required, O=Optional, D=Dependent,
 A=Advised, N=Not used

Segment descriptions

Number	No	Segment	St	MaxRep.	Level	Name
1910		SG50	M	6	1	TAX-MOA
This segment group contains the TAX segment as well as the MOA segment and is used for the transmission of value-added tax.						
1930	67	MOA	M	1	2	Tax amount

Tag	Name	St	Format	Usage / Comments
MOA				
C516	MONETARY AMOUNT	M		
5025	Type of monetary amount, qualifier	M	an..3	Constant value: 124 Tax amount
5004	Monetary amount	M	n..18	Absolute amount of VAT with a maximum of two decimal places.

Description: In the MOA segment, the tax amount is transferred.

Example: MOA+124:9'

No = Consecutive segment number
 MaxOcc = Maximum occurrence of the segment/group
 Counter = Counter of segment/group within the standard

St = Status
 EDIFACT: M=Mandatory, C=Conditional
 User specific: R=Required, O=Optional, D=Dependent,
 A=Advised, N=Not used

INVOIC

Segment descriptions

Number	No	Segment	St	MaxRep.	Level	Name
1940		SG51	C	15	1	ALC-MOA
This segment group includes the ALC segment as well as the MOA segment and is used to transmit incidental expenses as well as surcharges and discounts on the entire invoice.						
1950	68	ALC	M	1	1	Surcharges and incidental expenses

Tag	Name	St	Format	Usage / Comments
ALC				
5463	Surcharges and Discounts, Qualifier	M	an..3	The following codes are available: A Deduction C Surcharge
C552		N		
1230		N		Not used in the subset.
4471		N		Not used in the subset.
1227		N		Not used in the subset.
C214	SPECIAL SERVICES	M		
7161	Special services, coded	M	an..3	AA Advertising allowance AAA Telecommunication charges AAB Returned goods charges AAC Modification costs AAD Job-order production AAE Outlays AAF Off-premises surcharge AAG Gold surcharge AAH Processing surcharge AAI Attestation fee AAJ Copper surcharge AAK Energy surcharge AAL Deduction for missing parts AAM Rubber surcharge AAN Brass surcharge AAO Material surcharge/deduction AAP Lead surcharge AAQ Price index surcharge AAR Platinum surcharge AAS Acceptance cost AAT Rush delivery AAU Selenium surcharge AAV Special construction charge AAW Deduction for delayed return AAX Wolfram surcharge AAZ Concession fee ABA Compulsory storage fee ABB Defuel ABC Into plane fee ABD Overtime ABE Reservicing charge ABF Tooling cost ABG Tooling charge ABH Throughput allowance ABI Superfund fee ABJ Airport system fee ABK Miscellaneous ABL Packaging surcharge ABM Scrap surcharge ABN Dunnage charge ABO Air freight transportation ABP Carriage charge

No = Consecutive segment number
 MaxOcc = Maximum occurrence of the segment/group
 Counter = Counter of segment/group within the standard

St = Status
 EDIFACT: M=Mandatory, C=Conditional
 User specific: R=Required, O=Optional, D=Dependent,
 A=Advised, N=Not used

Segment descriptions

Tag	Name	St Format	Usage / Comments
			ABQ Tonnage rebate ABR Containerisation ABS Carton packing ABT Hessian wrapped ABU Polyethylene wrap packing ABV Miscellaneous customs charge ABW Customs duty charge ABX Miscellaneous special tooling charge ABY Tooling amortisation ABZ Miscellaneous rebate or discount ACA Allowance ACB Future discount off retail ACC Miscellaneous setting costs (tooling) ACD Minimum amount costs for quantity based surcharges ACE Below schedule quantity after quantity-based surcharge ACF Miscellaneous treatment ACG Enamelling treatment ACH Heat treatment ACI Plating treatment ACJ Painting ACK Polishing ACL Priming ACM Preservation treatment ACN Miscellaneous other surcharges ACO Alloy surcharge ACP Coke surcharge ACQ Royalty surcharge ACR Wheel handling charge ACS Fitting surcharge ACT Non-standard surcharge ACU Standard surcharge ACV Wheel surcharge ACW Washer surcharge ACX Ocean freight charge ACY Container deposit charge ACZ Damaged merchandise ADA Bopsheet charge ADB Drum deposit ADC Consolidation ADD Inland transportation ADE Bill of lading charge ADF Excise tax-destination ADG Customs bond charge ADH Per pound charge ADI Royalties ADJ Airbag charge ADK Transfer charge ADL Slipsheet charge ADM Binding services ADN Repair or replacement of broken returnable package ADO Efficient logistics ADP Merchandising ADQ Product mix ADR Other services ADS Full pallet ordering ADT Pick-up ADU Handling by the 1st level sub-contractor ADV Handling by the 2nd level sub-contractor ADX Handling by the contractor ADY New product introduction

No = Consecutive segment number
 MaxOcc = Maximum occurrence of the segment/group
 Counter = Counter of segment/group within the standard

St = Status
 EDIFACT: M=Mandatory, C=Conditional
 User specific: R=Required, O=Optional, D=Dependent,
 A=Advised, N=Not used

Segment descriptions

Tag	Name	St Format	Usage / Comments
			AG Silver surcharge AJ Adjustments AL Aluminium surcharge AM Additional material AU Authentication charge CA Cataloguing services CAA Cancellation charge CAB Cartage CAC Cash discount CAD Certification fee CAE Certificate of conformance CAF Certificate of origin CAG Competitive allowance CAH Competitive auto allowance CAI Cutting charge CAJ Consular costs CAK Customer collection rebate CB Commission CD Car loading CG Cleaning charge CK COD charge CL Contract allowance CO Cents off CP Competitive price CS Cigarette stamping CT Count and recount CW Container allowance DA Defective allowance DAA Deficit freight DAB Layout/design DAD Driver assigned unloading DAE Distributor discount/allowance DI Discount DL Delivery DM Demurrage EAA Early buy allowance EAB Early payment allowance EG Engraving EP Expediting premium ER Exchange rate guarantee charge EX Export shipping charge FA Freight allowance FAA Fabrication charge FAB Freight equalization FAC Freight surcharge FC Freight charge FG Free goods FH Filling/handling charge FI Finance charge FN Special finish charge FR Flat rate GAA Grinding HAA Hose charge HD Handling HH Hoisting and hauling IA Invoice adjustment IAA Installation IAB Installation and warranty ID Inside delivery charge IF Inspection fee IN Insurance IR Installation and training IS Invoice services

No = Consecutive segment number
 MaxOcc = Maximum occurrence of the segment/group
 Counter = Counter of segment/group within the standard

St = Status
 EDIFACT: M=Mandatory, C=Conditional
 User specific: R=Required, O=Optional, D=Dependent,
 A=Advised, N=Not used

Segment descriptions

Tag	Name	St Format	Usage / Comments
			KO Koshering L1 Shipper load, carrier count LA Labelling LAA Labour charge LAB Labor (repair and return orders) LAC License fee LF Legalisation fee LS Local sales tax MA Material allowance (special materials) MAA Mileage or travel MAB Mileage fee (for repair and return) MAC Minimum order/minimum billing charge MAD Monthly rental MAE Mounting MC Material surcharge (special materials) MI Mail invoice ML Mail invoice to each location NAA Non-returnable containers OA Outside cable connectors OAA Overtime loading PA Pack invoice with shipment PAA Phosphatizing (steel treatment) PAB Postage charge PAC Premium charge PAD Promotional allowance PAE Promotional discount PC Packing PD Palladium surcharge PI Pick-up allowance PL Palletizing PN Pallet charge PO Per order charge QAA Quantity surcharge QD Quantity discount RAA Rebate RAB Repack charge RAC Repair RAD Returnable container RAE Resellers discount RAF Restocking charge RAG Roll rebate RAH Road/rail tanker rebate RE Re-delivery charge RF Refurbishing charge RH Rail wagon hire RO Roe allowance/charge RP Repair charge RV Freight charge/costs of loading SA Salvage SAA Shipping and handling SAB Special allowance SAC Special credit SAD Special packaging SAE Stamping SAF Supplemental items SAG Surcharge (dollar value) SAH Surcharge (percentage) SAI Shipper load, consignee unload SAJ Small packages charge SC Surcharge SD Shrinkage allowance SG Shrink-wrap charge SH Special handling service

No = Consecutive segment number
 MaxOcc = Maximum occurrence of the segment/group
 Counter = Counter of segment/group within the standard

St = Status
 EDIFACT: M=Mandatory, C=Conditional
 User specific: R=Required, O=Optional, D=Dependent,
 A=Advised, N=Not used

Segment descriptions

Tag	Name	St Format	Usage / Comments
			SM Special finish ST Stamp duties SU Set-up SZ Steel surcharge TAA Telephone charge TAB Tank rental TAC Testing charge TAD Testing allowance TAE Truckload discount TD Trade discount TS State tax TT Transportation - third party billing TV Transportation - vendor provided TX Tax TZ Temporary allowance UM Unsaleable merchandise allowance V1 Drop yard V2 Drop dock VAA Vendor freight VAB Volume discount VL Vehicle load allowance WH Warehousing XAA Combine all same day shipment YY Split pickup The following codes are available: ZZZ Bilaterally agreed (description of the condition follows in data element 7160)
1131		N	Not used in the subset.
3055		N	Not used in the subset.
7160	Special conditions	C an..35	When the code ZZZ is specified in data element 7161, the description of the condition must be transmitted here.

Description: In the ALC segment, percentage and monetary adjustments to the total invoice are represented as a sum.

Example: ALC+A+++ABW:::Konditionsbezeichnung'

No = Consecutive segment number
 MaxOcc = Maximum occurrence of the segment/group
 Counter = Counter of segment/group within the standard

St = Status
 EDIFACT: M=Mandatory, C=Conditional
 User specific: R=Required, O=Optional, D=Dependent,
 A=Advised, N=Not used

INVOIC

Segment descriptions

Number	No	Segment	St	MaxRep.	Level	Name
1940		SG51	C	15	1	ALC-MOA
This segment group includes the ALC segment as well as the MOA segment and is used to transmit incidental expenses as well as surcharges and discounts on the entire invoice.						
1970	69	MOA	C	1	2	Monetary amount

Tag	Name	St	Format	Usage / Comments
MOA				
C516	MONETARY AMOUNT	M		
5025	Monetary amount, qualifier	M	an..3	Constant value: 8 Amount of money
5004	Monetary amount	M	n..18	Surcharge or discount with two decimal places.

Description: In the MOA segment, a monetary amount is transferred concerning the previously determined surcharges or discounts.

Example: MOA+8 : 9'

No = Consecutive segment number
 MaxOcc = Maximum occurrence of the segment/group
 Counter = Counter of segment/group within the standard

St = Status
 EDIFACT: M=Mandatory, C=Conditional
 User specific: R=Required, O=Optional, D=Dependent,
 A=Advised, N=Not used

Segment descriptions

Number	No	Segment	St	MaxRep.	Level	Name
1980	70	UNT	M	1	0	Message End Segment

Tag	Name	St	Format	Usage / Comments
UNT				
0074	NUMBER OF SEGMENTS IN A MESSAGE	M	n..6	Number of segments transmitted with this message, including the UNH and UNT segments.
0062	MESSAGE REFERENCE NUMBER	M	an..14	The same reference number as in UNH / 0062 must be entered here. This number will be compared with the entry in the UNH segment upon receipt of the message.

Description: In the UNT segment, the number of segments and a message reference number are transmitted for plausibility checks.

Example: UNT+68+1'

No = Consecutive segment number
 MaxOcc = Maximum occurrence of the segment/group
 Counter = Counter of segment/group within the standard

St = Status
 EDIFACT: M=Mandatory, C=Conditional
 User specific: R=Required, O=Optional, D=Dependent,
 A=Advised, N=Not used

Segment descriptions

Number	No	Segment	St	MaxRep.	Level	Name
--------	----	---------	----	---------	-------	------

0000	71	UNZ	M	1	0	Data Segment End
------	----	------------	---	---	---	------------------

Tag	Name	St	Format	Usage / Comments
UNZ				
0036	DATA EXCHANGE COUNTER	M	n..6	Here, the number of messages in the payload frame UNB..UNZ is entered.
0020	DATA EXCHANGE REFERENCE	M	an..14	The same reference number as in UNB / 0020 must be entered here. This number will be compared with the entry in the UNB segment upon receipt of the message.

Description: In the UNZ segment, a data exchange counter and a data exchange reference can be transmitted.

Example: UNZ+1+1'

No = Consecutive segment number
 MaxOcc = Maximum occurrence of the segment/group
 Counter = Counter of segment/group within the standard

St = Status
 EDIFACT: M=Mandatory, C=Conditional
 User specific: R=Required, O=Optional, D=Dependent,
 A=Advised, N=Not used

INVOIC

Example

No	Desc	Example
01	UNA	UNA:+,?'
02	UNB	UNB+UNOC:3+4,01235E?+12:14+4,01235E?+12:14+131011:1146+1+++++1'
03	UNH	UNH+1+INVOIC:D:96B:UN:ITEK42'
04	BGM	BGM+380+1+1'
05	DTM	DTM+3:20141013:102'
06	DTM	DTM+35:20141014:102'
07	DTM	DTM+137:20141015:102'
08	FTX	FTX+OSI++HAE+Freitext:Freitext:Freitext:Freitext:Freitext'
09	FTX	FTX+INV+++Freitext:Freitext:Freitext:Freitext:Freitext'
	SG1	
10	RFF	RFF+AFL:1'
11	DTM	DTM+3:20141014:102'
	SG1	
12	RFF	RFF+AP:123456'
	SG2	
13	NAD	NAD+SU+4,01235E?+12::9++Max:Maximilian:Mustermann+Musterstr. 16+Musterstadt++12345+DE'
	SG3	
14	RFF	RFF+VA:1'
	SG3	
15	RFF	RFF+XA:1'
	SG5	
16	CTA	CTA++:Max Mustermann'
17	COM	COM+max_mustermann@e_mail.de:EM'
	SG2	
18	NAD	NAD+IV+4,01235E?+12::9++Max:Maximilian:Mustermann+Musterstr. 16+Musterstadt++12345+DE'
	SG3	
19	RFF	RFF+VA:1'
	SG2	
20	NAD	NAD+WS+4,01235E?+12::9++Max:Maximilian:Mustermann+Musterstr. 16+Musterstadt++12345+DE'
	SG3	
21	RFF	RFF+VA:1'
	SG5	
22	CTA	CTA++:Max Mustermann'
23	COM	COM+max_mustermann@e_mail.de:EM'
	SG2	
24	NAD	NAD+PW+++Max:Maximilian:Mustermann+Musterstr. 16+Musterstadt++12345+DE'
	SG6	
25	TAX	TAX+7+VAT+++:::19.00+S'
	SG7	
26	CUX	CUX+2:EUR'
	SG8	
27	PAT	PAT+3'
28	DTM	DTM+12:20141016:102'
	SG8	
29	PAT	PAT+22++5:::9'
30	DTM	DTM+343:20141029:102'
31	PCD	PCD+12:9'
	SG8	

No = Consecutive segment number in the guide

Desc = Object identifier

Example

No	Desc	Example
32	PAT	PAT+ZZZ++5:::9'
33	DTM	DTM+13:20141016:102'
	SG25	
34	LIN	LIN+9+5+1:MF'
35	PIA	PIA+1+1:EN'
36	IMD	IMD+++SP:::Artikeltext Artikeltext Artikeltext:Artik'
37	IMD	IMD+++SP:::Artikeltext Artikeltext Artikeltext:Artik'
38	IMD	IMD+++ZU:::Artikeltext Artikeltext Artikeltext:Artik'
39	QTY	QTY+12:9:CMK'
40	ALI	ALI+DE'
41	DTM	DTM+35:20141016:102'
42	GIN	GIN+SC+1'
43	FTX	FTX+INV+++Rechnungs- / Dokumententext:Rechnungs- / Dokumententext:Rechnungs- / Dokumententext:Rechnungs- / Dokumententext:Rechnungs- / Dokumententext'
44	FTX	FTX+TXD+++Steuerschuldnerschaft des Leistungsempfängers:Steuerschuldnerschaft des Leistungsempfängers:Steuerschuldnerschaft des Leistungsempfängers:Steuerschuldnerschaft des Leistungsempfängers:Steuerschuldnerschaft des Leistungsempfängers'
	SG26	
45	MOA	MOA+203:9'
	SG27	
46	PAT	PAT+NSF'
	SG28	
47	PRI	PRI+GRP:9:::9:CMK'
	SG29	
48	RFF	RFF+ON:1:1'
49	DTM	DTM+171:20141015:102'
	SG29	
50	RFF	RFF+AAJ:1:1'
51	DTM	DTM+171:20141015:102'
	SG29	
52	RFF	RFF+AAY:1:1'
53	DTM	DTM+171:20141015:102'
	SG29	
54	RFF	RFF+ACE:1:1'
	SG33	
55	TAX	TAX+7+VAT+++:::0+B'
56	MOA	MOA+124:0'
	SG38	
57	ALC	ALC+J++++SF'
	SG40	
58	PCD	PCD+1:9'
	SG38	
59	ALC	ALC+A++++ZZZ:::Konditionsbezeichnung'
	SG40	
60	PCD	PCD+3:9'
	SG41	
61	MOA	MOA+8:9'
	SG41	
62	MOA	MOA+25:9'
63	UNS	UNS+S'
	SG48	

No = Consecutive segment number in the guide
 Desc = Object identifier

Example

No	Desc	Example
64	MOA	MOA+79:9'
	SG50	
65	TAX	TAX+7+VAT+++:::19.00+S'
66	MOA	MOA+125:9'
67	MOA	MOA+124:9'
	SG51	
68	ALC	ALC+A+++ABW:::Konditionsbezeichnung'
69	MOA	MOA+8:9'
70	UNT	UNT+68+1'
71	UNZ	UNZ+1+1'

No = Consecutive segment number in the guide
 Desc = Object identifier